

PARTS LIST

[MX-K1]

* All printed circuit boards and its assemblies are not available as service parts.

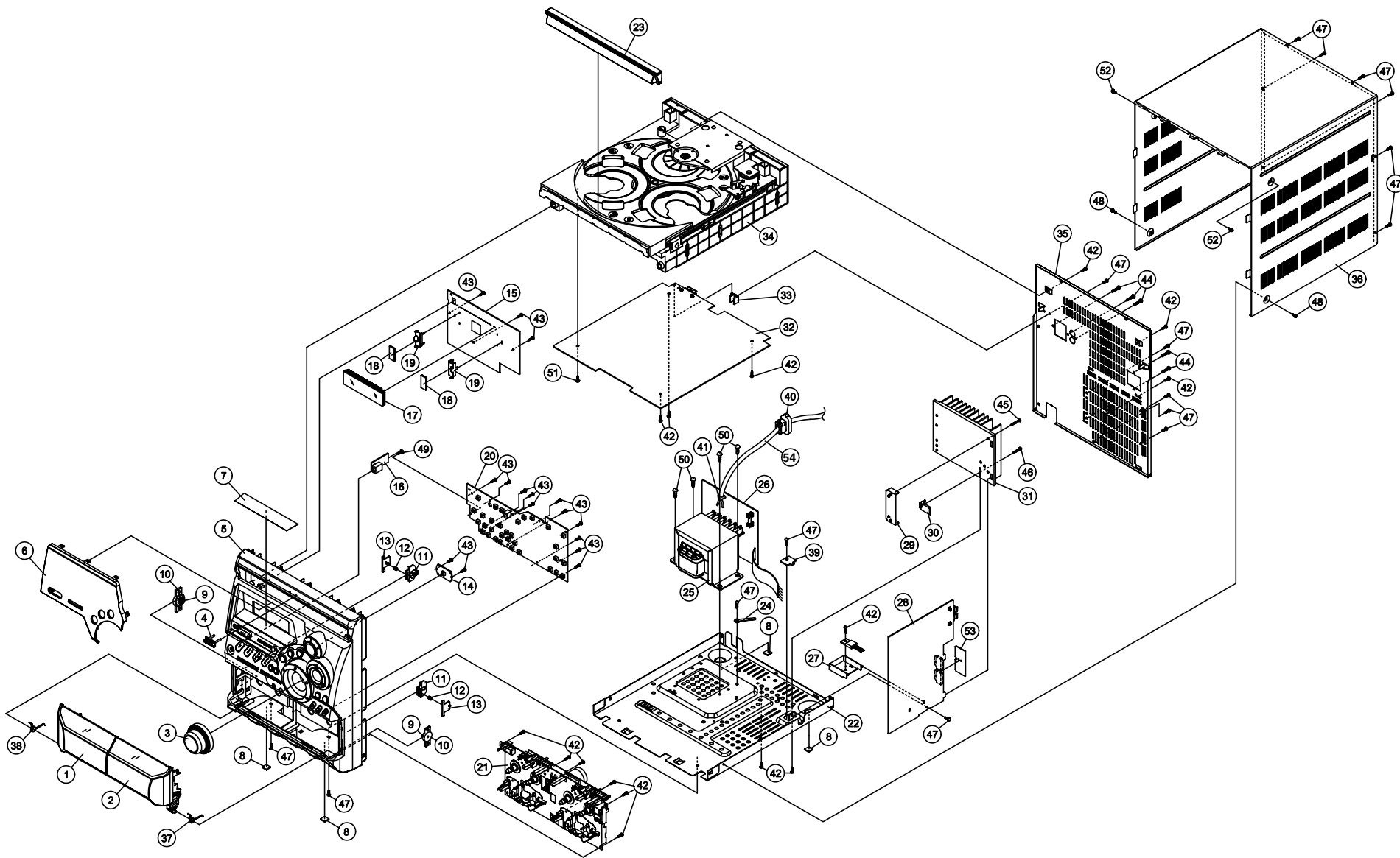
Area suffix	
J -----	U.S.A.
C -----	Canada

- Contents -

Exploded view of general assembly and parts list	3-2
Cassette mechanism assembly and parts list	3-5
CD mechanism assembly and parts list	3-6
Electrical parts list	3-9
Packing materials and accessories parts list	3-19

Exploded view of general assembly and parts list

Block No. M 1 M M



Parts list (General assembly)

Block No. M1MM

△	Item	Parts number	Parts name	Q'ty	Description	Area
	1	GJA2031003001C	CASSETTE DOOR L	1		
	2	GJA2032001001C	CASSETTE DOOR R	1		
	3	GJ4A05303001B0	VOLUME KNOB	1	VOLUME	
	4	GJ460170330201	JVC LOGO	1		
	5	GJA2020061001C	F.CABINET ASS'Y	1		
	6	GJ4C05316003C0	LENS	1	DISPLAY	
	7	GJ772007940101	LABEL	1		
	8	GJ763000320106	FELT SHEET	4	10X10MM T=2MM	
	9	GJ660490020101	GEAR	2		
	10	GJ660490030101	GEAR BASE	2		
	11	GJ4D04048001A1	LOCK HOLDER	2		
	12	GJ422253701	SPRING	2	LOCK	
	13	GJ460400250101	HOLDER	2	DOOR LOCKER	
	14	-----	CD SWITCH PCB1	1	ASS'Y	
	15	-----	CONTROL PCB	1	ASS'Y	
	16	-----	HEAD PHONE PCB	1	ASS'Y	
	17	GJ373020041000	DISPLAY	1	BJ828GNK	
	18	GJ793000150001	SPONGY	2	8X20XT0.8 MM W/	
	19	GJ560530400101	DISPLAY BRACKET	2	DISPLAY	
	20	-----	CD SWITCH PCB2	1	ASS'Y	
	21	-----	CASSETTE MECH	1	CMAT6Z219A ASS'	
	22	GJ560530200101	BOTTOM CASE	1		
	23	GJ4B05315001E0	CD FITTING	1		
	24	GJ727450540503	SOLDER TAG	1		
△	25	GJ336660190013	POWER TRANS	1	AC120V/60HZT951	
	26	-----	AC POWER PCB	1	ASS'Y	
	27	GJ780000180100	HEAT SINK	1		
	28	-----	POWER AMP PCB	1		
	29	GJ560170100101	BRACKET A	1		
	30	GJ560170110101	BRACKET B	1		
	31	GJ780000340100	HEAT SINK	1		
	32	-----	MAIN PCB	1		
	33	GJ560170040101	PCB BRACKET	1		
	34	-----	CD CHANGER UNIT	1	910-EXLM75-03	
	35	GJ560530310212	REAR CASE	1		
	36	GJ560530100101	TOP CASE	1		
	37	GJ711001850101	SPRING	1	CASS DOOR R	
	38	GJ711001840100	SPRING	1	CASS DOOR L	
	39	GJ560170290101	BRACKET	1		
	40	GJ796000030000	CORD BUSHING	1		
	41	GJ732000010101	POWERCORD BAND	1		
	42	GJ702244300810	SCREW	15	TT 3X8 +BV TYP	
	43	GJ702244260810	SCREW	16	TT 2.6X8 +BV TY	
	44	GJ702244301010	SCREW	5	TT 3X10 +BV TYP	
	45	GJ702244301810	SCREW	1	TT 3X18 +BV TYP	
	46	GJ702244301410	SCREW	1	TT 3X14 +BV TYP	
	47	GJ702244300610	SCREW	16	TT 3X6 +BV TYPE	
	48	GJ702244300650	SCREW	2	TT 3X6 +BV TYPE	

■ Parts list (General asembly)

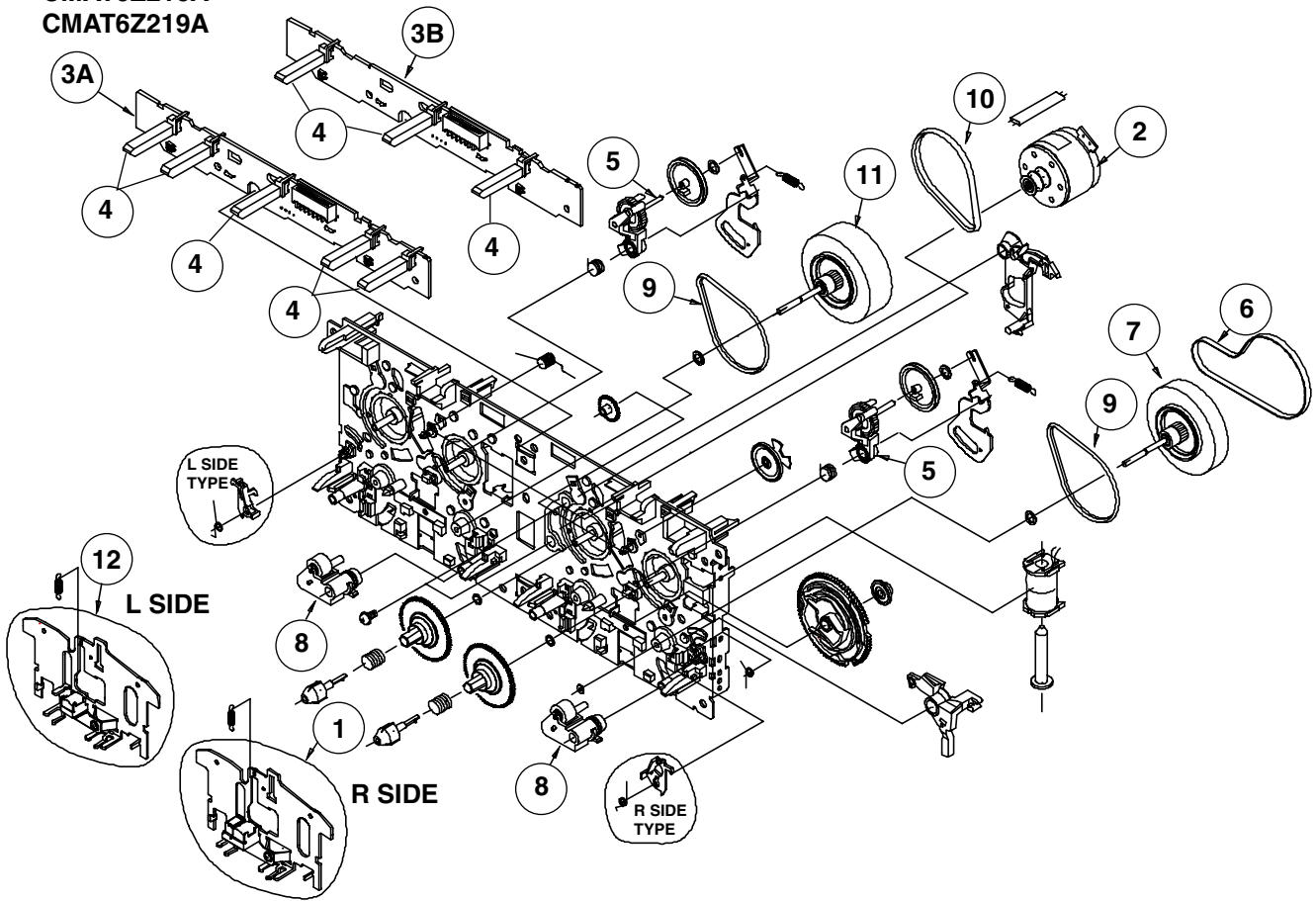
Block No. M1MM

△	Item	Parts number	Parts name	Q'ty	Description	Area
	49	GJ703260800100	SPECIAL SCREW	1	TT 2.6X8 D10 +B	
	50	GJ702264400610	SCREW	4	TT 4X6 +PW=8 TY	
	51	GJ703300802000	SCREW	1	TT3X8 D=12 +BW	
	52	GJ702244301050	SCREW	2	TT 3X10 +BV TYP	
	53	GJ735000040003	INSULATOR	1		
△	54	GJ350162001119	POWER CORD	1		

Cassette mechanism assembly and parts list

Block No. M 2 M M

CMAT6Z216A
CMAT6Z219A



Note: Parts listed on the Parts List below can be supplied. However, parts that are not listed below cannot be supplied individually but only by purchasing the whole Cassette Mechanism Assembly Unit. (When ordering, use the Parts No. CMAT6Z216A or CMAT6Z219A for Cassette Mechanism Assembly Unit.)

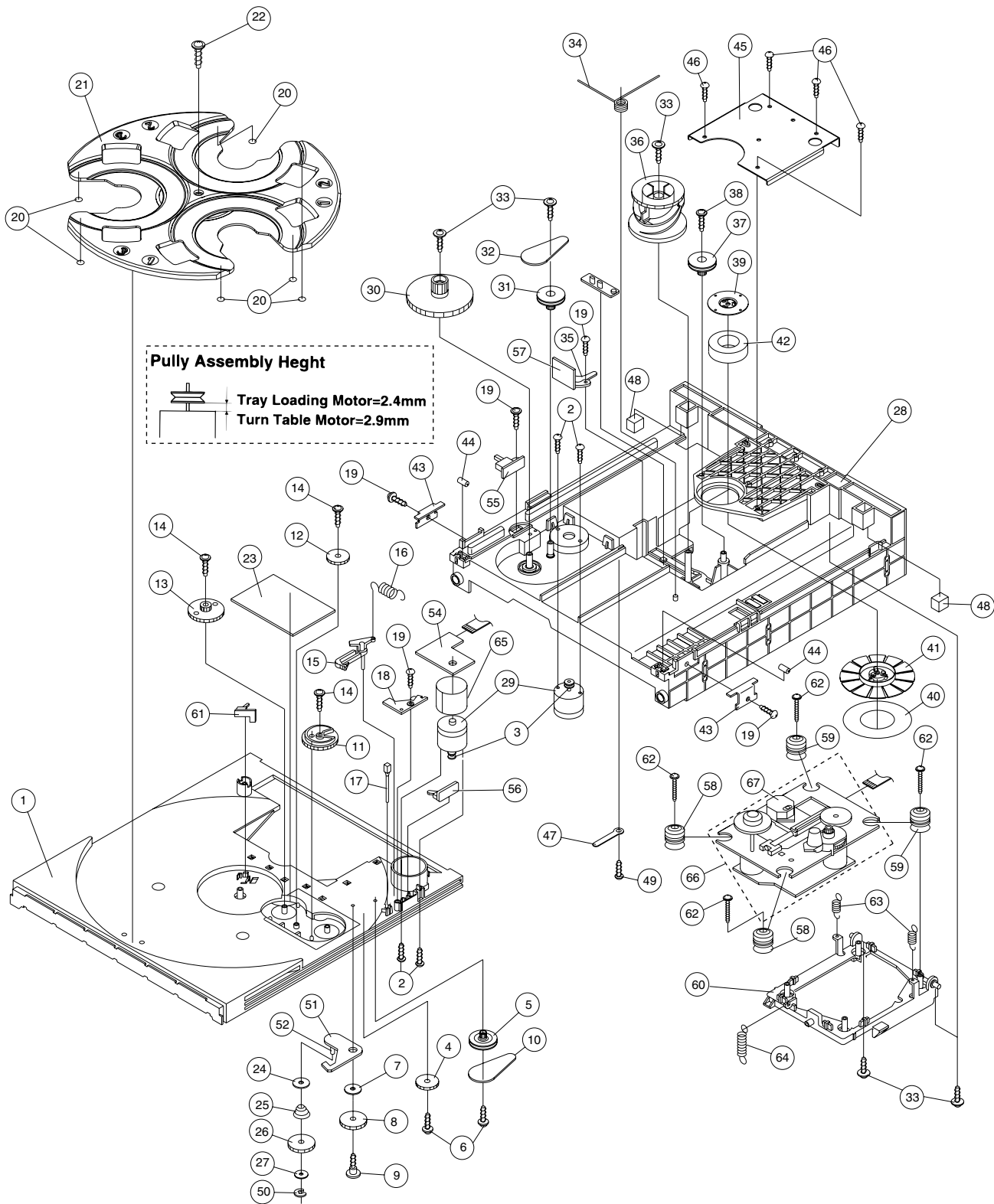
■ Parts list (Cassette mechanism)

Block No. M2MM

⚠	Item	Parts number	Parts name	Q'ty	Description	Area
	1	F513-858	PLATE HD BLK	1		
	2	F525-338	MTR MAIN BLK	1		
	3A	-----	PCB CONTROL BLK	1	CMAT6Z216A	
	3B	-----	PCB CONTROL BLK	1	CMAT6Z219A	
	4	UE20P-12	LEAF SWITCH	5	CMAT6Z216A	
		UE20P-12	LEAF SWITCH	3	CMAT6Z219A	
	5	F522-063	CLUTCH ASSY BLK	2		
	6	FF19U-12	MAIN BELT	1		
	7	FR25P-11	ASSY F/W	1		
	8	F514-135	ROLLER PINCH BLK R	2		
	9	FF19S-31	F/R BELT MO	2		
	10	FF19N-11	MAIN BELT	1		
	11	FR25R-11	ASSY F/W	1		
	12	F513-855	PLATE HD BLK	1		

CD changer mechanism assembly and parts list

Block No. M 3 M M



Parts list (CD mechanism)
Block No. M2MM

△	Item	Parts number	Parts name	Q'ty	Description	Area
	1	GJ4A0430201A1	TRAY	1		
	2	GJ701222260432	SCREW	4	M2.6 X 4	
	3	GJ4D01068100A1	MOTOR PULLEY	2	VE75984	
	4	GJ4D04300501A1	RELAY GEAR-A	1		
	5	GJ4D04301801A1	PULLEY GEAR	1		
	6	GJ700263260812	SCREW	2	2.6 X 8	
	7	GJ721271400500	METAL WASHER	1	2.7 X 14 X 0.5T	
	8	GJ4D04300601A1	RELAY GEAR-B	1		
	9	GJ703260000100	SCREW	1	SPECIAL	
	10	GJ560430010101	LOADING BELT	1		
	11	GJ4D04300901A1	TRAY LOCK GEAR	1		
	12	GJ4D04301001A1	RELAY GEAR-C	1		
	13	GJ4D04301101A1	TRAY GEAR	1		
	14	GJ700263260612	SCREW	3	2.6 X6	
	15	GJ4D04301301A2	S.S.W. LEVER	1	SENSOR	
	16	GJ711001630100	SPRING	1	SENSOR SWITCH	
	17	GJ460430220101	CUSHION RUBBER	1		
	18	GJ460430230101	GUIDE BRACKET	1	SENSOR SWICH	
	19	GJ70022320812	SCREW	5	2.6 X 8	
	20	GJ761000190100	CUSHION	6		
	21	GJ4A04300101A1	TURRETTO	1		
	22	GJ700263261042	SCREW	1	2.6 X 10 BLACK	
	23	GJ560430050101	BLIND SHEET	1		
	24	GJ729421400300	WASHER	1	4 X 14 X 0.3T	
	25	GJ711001620100	SPRING	1	CHANGER GEAR	
	26	GJ4D04300701A1	CHANGER GEAR	1		
	27	GJ721311000500	WASHER	1	3.1 X 10 X 0.5T	
	28	GJ4B04301201A2	MAINCHASSIS	1		
	29	GJ381020310004	MOTOR	2	TRAY MOTOR	
	30	GJ4L04301901A1	SLIDE GEAR	1		
	31	GJ4D04300401A1	GEAR PULLEY -A	1		
	32	GJ560430060101	GEAR BELT	1	LOADING	
	33	GJ703330800202	SCREW	5	3 X 8	
	34	GJ711001640100	SPRING	1	CAM BRACKET	
	35	GJ460430160101	SWITCH LEVER	1		
	36	GJ4D04301401A1	UD CAM GEAR	1		
	37	GJ4D04301501A1	UD REDUCE GEAR	1		
	38	GJ700264200812	SCREW	1	2 X 10	
	39	GJ793312711	CHUCKING YOKE	1		
	40	GJ763000440100	FELT	1	35 X 65 X 0.5T	
	41	GJ4A04301703A1	CLAMPER	1		
	42	GJ383000040100	MAGNET	1		
	43	GJ560430070101	RAIL GUIDE	2		
	44	GJ4D04302001A1	ROLLER	2		
	45	GJ560430100101	M.C. BRACKET	1	MAIN SHASSIS	
	46	GJ700221300510	SCREW	4	3 X 5	
	47	GJ560430110101	EARTH TERMINAL	1		
	48	GJ761000220100	CUSHION	2	12 X 8 X 5T	

■ Parts list (CD mechanism)

Block No. M2MM

△	Item	Parts number	Parts name	Q'ty	Description	Area
	49	GJ768564711	SCREW	1	3 X 10	
	50	GJ560430090101	E RING	1		
	51	GJA2039002001A	CHANGE PLATE	1		
	52	GJ560430030101	C. GEAR SHAFT	1		
	54	-----	SWITCH PWB	1	TURN TABLE	
	55	-----	SWITCH PWB	1	TRAY SWITCH	
	56	-----	SWITCH PWB	1	DISC COUNT	
	57	-----	SWITCH PWB	1	PICK-UP	
	58	GJ302237001	RUBBER CUSHION	1		
	59	GJ302237011	RUBBER CUSHION	1		
	60	GJ4004302101A1	MECHA BASE	1		
	61	GJ390170021204	SWITCH DIRECT	1		
	62	GJ700264261840	SCREW	1		
	63	GJ711001650100	SPRING	1		
	64	GJ711001660100	SPRING	1		
	65	GJ560533800101	SHIELD RING	1		
	66	EXL-M71-03	CD MECHA UNIT	1		
	67	OPTIMA-7B	PICK UP ASS'Y	1		

■ Electrical parts list(Main board)

Block No. 01

△	Item	Parts number	Parts name	Remarks	Area	△	Item	Parts number	Parts name	Remarks	Area
C 1	GJ111067121	C.CAPACITOR	47000PF F Z 50V			C 108	GJ270144750310	E.CAPACITOR	25V VX M 4.7UF		
C 2	GJ116222821	C.CAPACITOR	50V CH J 4.7PF			C 109	GJ270144750310	E.CAPACITOR	25V VX M 4.7UF		
C 3	GJ116229421	C.CAPACITOR	50V B K 1000PF			C 110	GJ283108232415	P.CAPACITOR	50V K 0.082UF		
C 4	GJ116259621	C.CAPACITOR	25V F Z 0.022UF			C 111	GJ283108232415	P.CAPACITOR	50V K 0.082UF		
C 5	GJ111067121	C.CAPACITOR	47000PF F Z 50V			C 112	GJ283105622415	P.CAPACITOR	50V K 0.0056U		
C 6	GJ116219921	C.CAPACITOR	50V SL J 10PF			C 113	GJ283101242415	P.CAPACITOR	50V K 0.12UF		
C 7	GJ116223421	C.CAPACITOR	50V CH J 12PF			C 114	GJ283101042415	P.CAPACITOR	50V K 0.1UF		
C 8	GJ116223121	C.CAPACITOR	50V CH J 8.2PF			C 115	GJ270111070310	E.CAPACITOR	10V M 100UF		
C 9	GJ111067121	C.CAPACITOR	47000PF F Z 50V			C 116	GJ270191050310	E.CAPACITOR	50V VX M 1UF		
C 10	GJ116230621	C.CAPACITOR	16V Y M 0.01UF			C 201	GJ116228221	C.CAPACITOR	50V B K 100PF		
C 11	GJ111067121	C.CAPACITOR	47000PF F Z 50V			C 202	GJ270191050310	E.CAPACITOR	50V VX M 1UF		
C 12	GJ116230621	C.CAPACITOR	16V Y M 0.01UF			C 203	GJ270191050310	E.CAPACITOR	50V VX M 1UF		
C 13	GJ270111070310	E.CAPACITOR	10V M 100UF			C 204	GJ270191050310	E.CAPACITOR	50V VX M 1UF		
C 14	GJ116259621	C.CAPACITOR	25V F Z 0.022UF			C 205	GJ270191050310	E.CAPACITOR	50V VX M 1UF		
C 15	GJ116259621	C.CAPACITOR	25V F Z 0.022UF			C 206	GJ270144750310	E.CAPACITOR	25V VX M 4.7UF		
C 16	GJ270141060310	E.CAPACITOR	25V VX M 10UF			C 207	GJ270144750310	E.CAPACITOR	25V VX M 4.7UF		
C 17	GJ116222621	M.CAPACITOR	50V CH J 3.3PF			C 208	GJ270144750310	E.CAPACITOR	25V VX M 4.7UF		
C 18	GJ116230621	C.CAPACITOR	16V Y M 0.01UF			C 209	GJ270144750310	E.CAPACITOR	25V VX M 4.7UF		
C 19	GJ116230621	C.CAPACITOR	16V Y M 0.01UF			C 210	GJ283108232415	P.CAPACITOR	50V K 0.082UF		
C 20	GJ116230621	C.CAPACITOR	16V Y M 0.01UF			C 211	GJ283108232415	P.CAPACITOR	50V K 0.082UF		
C 21	GJ116223121	C.CAPACITOR	50V CH J 8.2PF			C 212	GJ283105622415	P.CAPACITOR	50V K 0.0056U		
C 22	GJ116229421	C.CAPACITOR	50V B K 1000PF			C 213	GJ283101242415	P.CAPACITOR	50V K 0.12UF		
C 23	GJ116230621	C.CAPACITOR	16V Y M 0.01UF			C 214	GJ283101042415	P.CAPACITOR	50V K 0.1UF		
C 24	GJ116229421	C.CAPACITOR	50V B K 1000PF			C 215	GJ270111070310	E.CAPACITOR	10V M 100UF		
C 25	GJ270144750310	E.CAPACITOR	25V VX M 4.7UF			C 216	GJ270191050310	E.CAPACITOR	50V VX M 1UF		
C 26	GJ264266822101	C.CAPACITOR	16V X M 0.0068U			C 301	GJ116229421	C.CAPACITOR	50V B K 1000PF		
C 27	GJ116228821	C.CAPACITOR	50V B K 330PF			C 302	GJ116230621	C.CAPACITOR	16V Y M 0.01UF		
C 28	GJ282034742415	M.CAPACITOR	50V J 0.47UF			C 303	GJ270192250310	E.CAPACITOR	50V VX M 2.2UF		
C 29	GJ270192240310	E.CAPACITOR	50V VX M 0.22UF			C 304	GJ116229421	C.CAPACITOR	50V B K 1000PF		
C 30	GJ270193350310	E.CAPACITOR	50V VX M 3.3UF			C 305	GJ270121070310	E.CAPACITOR	16V VX M 100UF		
C 33	GJ270192260310	E.CAPACITOR	50V M 22UF			C 306	GJ270114760310	E.CAPACITOR	10V M 47UF		
C 34	GJ116259621	C.CAPACITOR	25V F Z 0.022UF			C 307	GJ116229321	C.CAPACITOR	50V B K 820PF		
C 36	GJ282031032415	M.CAPACITOR	50V J 0.01UF			C 308	GJ283101532415	P.CAPACITOR	50V K 0.015UF		
C 37	GJ282031032415	M.CAPACITOR	50V J 0.01UF			C 309	GJ116230621	C.CAPACITOR	16V Y M 0.01UF		
C 38	GJ116229421	C.CAPACITOR	50V B K 1000PF			C 310	GJ270121070310	E.CAPACITOR	16V VX M 100UF		
C 39	GJ116229421	C.CAPACITOR	50V B K 1000PF			C 311	GJ283106822415	P.CAPACITOR	50V K 0.0068UF		
C 40	GJ270192250310	E.CAPACITOR	50V VX M 2.2UF			C 312	GJ282031032415	M.CAPACITOR	50V J 0.01UF		
C 41	GJ270192250310	E.CAPACITOR	50V VX M 2.2UF			C 313	GJ116230621	C.CAPACITOR	16V Y M 0.01UF		
C 42	GJ116229421	C.CAPACITOR	50V B K 1000PF			C 314	GJ116230621	C.CAPACITOR	16V Y M 0.01UF		
C 43	GJ116229421	C.CAPACITOR	50V B K 1000PF			C 315	GJ116230621	C.CAPACITOR	16V Y M 0.01UF		
C 50	GJ270124760310	E.CAPACITOR	16V M 47UF			C 316	GJ116230621	C.CAPACITOR	16V Y M 0.01UF		
C 51	GJ116223421	C.CAPACITOR	50V CH J 12PF			C 317	GJ270121070310	E.CAPACITOR	16V VX M 100UF		
C 52	GJ116223421	C.CAPACITOR	50V CH J 12PF			C 318	GJ270144750310	E.CAPACITOR	25V VX M 4.7UF		
C 53	GJ282031052415	M.CAPACITOR	50V J 1U			C 319	GJ270121080110	E.CAPACITOR	16V M 1000UF		
C 54	GJ283103922415	P.CAPACITOR	50V K 0.0039UF			C 320	GJ116228421	C.CAPACITOR	50V B K 150PF		
C 55	GJ116229021	C.CAPACITOR	50V B K 470PF			C 321	GJ116228421	C.CAPACITOR	50V B K 150PF		
C 56	GJ116230621	C.CAPACITOR	16V Y M 0.01UF			C 322	GJ116228421	C.CAPACITOR	50V B K 150PF		
C 57	GJ116230621	C.CAPACITOR	16V Y M 0.01UF			C 323	GJ116230621	C.CAPACITOR	16V Y M 0.01UF		
C 58	GJ116229421	C.CAPACITOR	50V B K 1000PF			C 324	GJ270111070310	E.CAPACITOR	10V M 100UF		
C 59	GJ270111070310	E.CAPACITOR	10V M 100UF			C 325	GJ270192250310	E.CAPACITOR	50V VX M 2.2UF		
C 60	GJ116230621	C.CAPACITOR	16V Y M 0.01UF			C 326	GJ116230621	C.CAPACITOR	16V Y M 0.01UF		
C 61	GJ116228221	C.CAPACITOR	50V B K 100PF			C 327	GJ270121060310	E.CAPACITOR	16V M 10UF		
C 62	GJ116228221	C.CAPACITOR	50V B K 100PF			C 328	GJ270124760310	E.CAPACITOR	16V M 47UF		
C 63	GJ116228221	C.CAPACITOR	50V B K 100PF			C 329	GJ116230621	C.CAPACITOR	16V Y M 0.01UF		
C 65	GJ116259621	C.CAPACITOR	25V F Z 0.022UF			C 330	GJ116228221	C.CAPACITOR	50V B K 100PF		
C 66	GJ270124760310	E.CAPACITOR	16V M 47UF			C 331	GJ270111070310	E.CAPACITOR	10V M 100UF		
C 101	GJ116228221	C.CAPACITOR	50V B K 100PF			C 332	GJ270124760310	E.CAPACITOR	16V M 47UF		
C 102	GJ270191050310	E.CAPACITOR	50V VX M 1UF			C 333	GJ270144750310	E.CAPACITOR	25V VX M 4.7UF		
C 103	GJ270191050310	E.CAPACITOR	50V VX M 1UF			C 334	GJ270191050310	E.CAPACITOR	50V VX M 1UF		
C 104	GJ270191050310	E.CAPACITOR	50V VX M 1UF			C 335	GJ270144750310	E.CAPACITOR	25V VX M 4.7UF		
C 105	GJ270191050310	E.CAPACITOR	50V VX M 1UF			C 336	GJ270191050310	E.CAPACITOR	50V VX M 1UF		
C 106	GJ270144750310	E.CAPACITOR	25V VX M 4.7UF			C 337	GJ270124760310	E.CAPACITOR	16V M 47UF		
C 107	GJ270144750310	E.CAPACITOR	25V VX M 4.7UF			C 338	GJ116229421	C.CAPACITOR	50V B K 1000PF		

■ Electrical parts list (Main board)

Block No. 01

△	Item	Parts number	Parts name	Remarks	Area
	C 341	GJ116230621	C.CAPACITOR	16V Y M 0.01UF	
	C 342	GJ116230621	C.CAPACITOR	16V Y M 0.01UF	
	C 343	GJ270121080110	E.CAPACITOR	16V M 1000UF	
	C 345	GJ116230621	C.CAPACITOR	16V Y M 0.01UF	
	C 346	GJ270121060310	E.CAPACITOR	16V M 10UF	
	C 401	GJ116229221	C.CAPACITOR	680PF BX 10% 5	
	C 402	GJ116229221	C.CAPACITOR	680PF BX 10% 5	
	C 403	GJ116221121	C.CAPACITOR	50V SL J 33PF	
	C 404	GJ283101832415	P.CAPACITOR	50V K 0.018UF	
	C 405	GJ270111070310	E.CAPACITOR	10V M 100UF	
	C 407	GJ270144750310	E.CAPACITOR	25V VX M 4.7UF	
	C 408	GJ270144750310	E.CAPACITOR	25V VX M 4.7UF	
	C 409	GJ264261822101	C.CAPACITOR	16V X M 0.0018	
	C 410	GJ264263322101	C.CAPACITOR	16V X M 0.0033U	
	C 411	GJ270141060310	E.CAPACITOR	25V VX M 10UF	
	C 413	GJ260771812412	C.CAPACITOR	50V SL J 180PF	
	C 414	GJ116229421	C.CAPACITOR	50V B K 1000PF	
	C 415	GJ270144750310	E.CAPACITOR	25V VX M 4.7UF	
	C 417	GJ116229021	C.CAPACITOR	50V B K 470PF	
	C 418	GJ116230221	C.CAPACITOR	16V X M 0.0022U	
	C 501	GJ116229221	C.CAPACITOR	680PF BX 10% 5	
	C 502	GJ116229221	C.CAPACITOR	680PF BX 10% 5	
	C 503	GJ116221121	C.CAPACITOR	50V SL J 33PF	
	C 504	GJ283101832415	P.CAPACITOR	50V K 0.018UF	
	C 505	GJ270111070310	E.CAPACITOR	10V M 100UF	
	C 507	GJ270144750310	E.CAPACITOR	25V VX M 4.7UF	
	C 508	GJ270144750310	E.CAPACITOR	25V VX M 4.7UF	
	C 509	GJ264261822101	C.CAPACITOR	16V X M 0.0018	
	C 510	GJ264263322101	C.CAPACITOR	16V X M 0.0033U	
	C 511	GJ270141060310	E.CAPACITOR	25V VX M 10UF	
	C 513	GJ260771812412	C.CAPACITOR	50V SL J 180PF	
	C 514	GJ116229421	C.CAPACITOR	50V B K 1000PF	
	C 515	GJ270144750310	E.CAPACITOR	25V VX M 4.7UF	
	C 517	GJ116229021	C.CAPACITOR	50V B K 470PF	
	C 518	GJ116230221	C.CAPACITOR	16V X M 0.0022U	
	C 601	GJ282033342499	M.CAPACITOR	50V J 0.33UF	
	C 602	GJ116230221	C.CAPACITOR	16V X M 0.0022U	
	C 603	GJ116230221	C.CAPACITOR	16V X M 0.0022U	
	C 604	GJ116230221	C.CAPACITOR	16V X M 0.0022U	
	C 605	GJ270112270310	E.CAPACITOR	10V VX M 220UF	
	C 606	GJ116256191	C.CAPACITOR	0.1MF F Z% 16V	
	C 607	GJ116259621	C.CAPACITOR	25V F Z 0.022UF	
	C 608	GJ116256191	C.CAPACITOR	0.1MF F Z% 16V	
	C 610	GJ270112270310	E.CAPACITOR	10V VX M 220UF	
	C 611	GJ116256191	C.CAPACITOR	0.1MF F Z% 16V	
	C 612	GJ116259621	C.CAPACITOR	25V F Z 0.022UF	
	C 613	GJ116259621	C.CAPACITOR	25V F Z 0.022UF	
	C 614	GJ113718891	M.F.CAPACITOR	0.15MF 5% 50V	
	C 615	GJ282031052415	M.CAPACITOR	50V J 1UF	
	C 616	GJ116223421	C.CAPACITOR	50V CH J 12PF	
	C 617	GJ116223421	C.CAPACITOR	50V CH J 12PF	
	C 618	GJ112696491	E.CAPACITOR	10MF 20% 50V	
	C 619	GJ116256191	C.CAPACITOR	0.1MF F Z% 16V	
	C 620	GJ116256191	C.CAPACITOR	0.1MF F Z% 16V	
	C 621	GJ270112270310	E.CAPACITOR	10V VX M 220UF	
	C 622	GJ270121060310	E.CAPACITOR	16V M 10UF	
	C 624	GJ270114760310	E.CAPACITOR	10V M 47UF	
	C 625	GJ116228821	C.CAPACITOR	50V B K 330PF	
	C 626	GJ116259621	C.CAPACITOR	25V F Z 0.022UF	
	C 627	GJ116221121	C.CAPACITOR	50V SL J 33PF	
	C 628	GJ283112732432	P.CAPACITOR	100V K 0.027UF	
	C 629	GJ11067121	C.CAPACITOR	47000PF F Z 50V	
	C 630	GJ116230221	C.CAPACITOR	16V X M 0.0022U	

△	Item	Parts number	Parts name	Remarks	Area
	C 631	GJ270112270310	E.CAPACITOR	10V VX M 220UF	
	C 632	GJ283112732432	P.CAPACITOR	100V K 0.027UF	
	C 633	GJ282031032415	M.CAPACITOR	50V J 0.01UF	
	C 635	GJ283101042415	P.CAPACITOR	50V K 0.1UF	
	C 636	GJ116259621	C.CAPACITOR	25V F Z 0.022UF	
	C 638	GJ116256191	C.CAPACITOR	0.1MF F Z% 16V	
	C 639	GJ270111070310	E.CAPACITOR	10V M 100UF	
	C 640	GJ116259621	C.CAPACITOR	25V F Z 0.022UF	
	C 642	GJ116220721	C.CAPACITOR	50V SL J 22PF	
	C 643	GJ116228221	C.CAPACITOR	50V B K 100PF	
	C 643	GJ264264722101	C.CAPACITOR	6V X M 0.0047U	
	C 644	GJ116259621	C.CAPACITOR	25V F Z 0.022UF	
	C 645	GJ116259621	C.CAPACITOR	25V F Z 0.022UF	
	C 646	GJ116229421	C.CAPACITOR	50V B K 1000PF	
	C 647	GJ116229421	C.CAPACITOR	50V B K 1000PF	
	C 648	GJ116259621	C.CAPACITOR	25V F Z 0.022UF	
	C 649	GJ112696491	E.CAPACITOR	10MF 20% 50V	
	C 650	GJ270112270310	E.CAPACITOR	10V VX M 220UF	
	C 651	GJ116259621	C.CAPACITOR	25V F Z 0.022UF	
	C 652	GJ116228921	C.CAPACITOR	50V B K 390PF	
	C 653	GJ116228921	C.CAPACITOR	50V B K 390PF	
	C 654	GJ283106822415	P.CAPACITOR	50V K 0.0068UF	
	C 656	GJ264264722101	C.CAPACITOR	16V X M 0.0047U	
	C 657	GJ110988991	E.CAPACITOR	1MF 20% 50V	
	C 658	GJ116228921	C.CAPACITOR	50V B K 390PF	
	C 659	GJ116228921	C.CAPACITOR	50V B K 390PF	
	C 660	GJ116229421	C.CAPACITOR	50V B K 1000PF	
	C 661	GJ116229421	C.CAPACITOR	50V B K 1000PF	
	C 690	GJ116229021	C.CAPACITOR	50V B K 470PF	
	C 797	GJ112427491	E.CAPACITOR	4.7MF 50V	
	CF1	GJ176012711	CERAMIC FILTER	CDA10.7 MG74 S	
	CN301	GJ340022210102	CONNECTOR	P=1.25MM 21PI	
	CN302	GJ340022200102	CONNECTOR	P=1.25MM 20PI	
	CN305	GJ34002130109	CONNECTOR	P=1.25 ST 13 PI	
	CN307	GJ345202030101	CONNECTOR	3PIN ST P=2MM	
	CN308	GJ345202080101	CONNECTOR	8PIN ST WHITE	
	CN601	GJ340122150102	CONNECTOR	P=1MM 15PIN	
	CN603	GJ345202070101	CONNECTOR	7PIN P=2MM	
	CN604	GJ340021050102	CONNECTOR	5PIN P=1.25MM	
	CN605	GJ178472711	CONNECTOR	5PIN P=1.25 RA	
	D 1	GJ871999133	DIODE	1SS133T77	
	D 2	GJ871999133	DIODE	1SS133T77	
	D 3	GJ871999133	DIODE	1SS133T77	
	D 4	GJ871999133	DIODE	1SS133T77	
	D 5	GJ871999133	DIODE	1SS133T77	
	D 6	GJ871999133	DIODE	1SS133T77	
	D 7	GJ310050080104	VARIABLE DIODE	FM CAP SVC203S	
	D 8	GJ310050080104	VARIABLE DIODE	FM CAP SVC203SP	
	D 9	GJ871999133	DIODE	1SS133T77	
	D 10	GJ871999133	DIODE	1SS133T77	
	D 11	GJ871999133	DIODE	1SS133T77	
	D 50	GJ871999133	DIODE	1SS133T77	
	D 51	GJ871999133	DIODE	1SS133T77	
	D 307	GJ871992333	ZENER DIODE	MTZJT775.1A	
	D 308	GJ871999133	DIODE	1SS133T77	
	D 309	GJ871999133	DIODE	1SS133T77	
	D 310	GJ871999133	DIODE	1SS133T77	
	D 311	GJ871999133	DIODE	1SS133T77	
	D 312	GJ871999133	DIODE	1SS133T77	
	D 313	GJ871999133	DIODE	1SS133T77	
	D 321	GJ871999133	DIODE	1SS133T77	
	D 322	GJ871999133	DIODE	1SS133T77	
	D 323	GJ310020020104	DIODE	1N4001 BAXIAL	

■ Electrical parts list (Main board)

Block No. 01

△	Item	Parts number	Parts name	Remarks	Area	△	Item	Parts number	Parts name	Remarks	Area
	D 324	GJ871999133	DIODE	1SS133T77			Q 315	GJ312030111210	TRANSISTOR	KTC3199TPGR	
	D 602	GJ871999133	DIODE	1SS133T77			Q 316	GJ312030111210	TRANSISTOR	KTC3199TPGR	
	FB601	GJ141039721	FERRITE BEAD	1.1UH (F.B)			Q 317	GJ312030111210	TRANSISTOR	KTC3199TPGR	
	FF603	GJ353130170107	FFC/FPC CABLE	13PINS P=1.25MM			Q 318	GJ312030111210	TRANSISTOR	KTC3199TPGR	
	FW303	GJ353110190107	CABLE FLAT	11PINS L=190MM			Q 319	GJ312011231210	TRANSISTOR	KTA1267Y	
	FW601	GJ353150150107	FFC CABLE	15PINS P=1MM F			Q 321	GJ872990437	TRANSISTOR	DTC114YS	
	FW602	GJ354005690100	WIRE KIT	6PIN P=2.0MM			Q 401	GJ872992241	TRANSISTOR	2SD2144STPUVW	
	FW604	GJ353050300107	FFC/FPC CABLE	5PINS P=1.25MM			Q 402	GJ872992241	TRANSISTOR	2SD2144STPUVW	
	HW603	GJ156538621	HOLDER				Q 501	GJ872992241	TRANSISTOR	2SD2144STPUVW	
	HW606	GJ156538421	HOLDER				Q 502	GJ872992241	TRANSISTOR	2SD2144STPUVW	
	HW607	GJ157328721	HOLDER				Q 601	GJ312011231210	TRANSISTOR	KTA1267Y	
	IC 1	GJ313011361106	IC	LA1823 DIP			Q 602	GJ872990437	TRANSISTOR	DTC114YS	
	IC 2	GJ313070221000	IC	LC72136N			R 1	GJ250031522199	CARBON RESISTOR	1/4WM J 1.5K	
△	IC101	GJ313070541318	IC	TDA7440D			R 2	GJ250031042199	CARBON RESISTOR	1/4WM J 100K	
	IC102	GJ313010023103	IC	BA15218 DIP			R 3	GJ250031022199	CARBON RESISTOR	1/4WM J 1K	
	IC401	GJ313080521101	IC	TA8189N			R 4	GJ250031042199	CARBON RESISTOR	1/4WM J 100K	
	IC402	GJ313070041101	IC	TC74HC4094AP			R 5	GJ250031042199	CARBON RESISTOR	1/4WM J 100K	
	IC601	GJ313060841223	IC	MN662748RPMFA			R 6	GJ250034732199	CARBON RESISTOR	1/4WM J 47K	
	IC611	GJ313020851323	IC	AN22000A			R 7	GJ250034732199	CARBON RESISTOR	1/4WM J 47K	
	IC621	GJ313050221003	IC	BA5936S			R 8	GJ250031002199	CARBON RESISTOR	1/4WM J 10	
	J 1	GJ342040190113	SPK JACK	4PIN BLACK (MS			R 9	GJ250031002199	CARBON RESISTOR	1/4WM J 10	
	J 301	GJ342030140109	RCA JACK	D=8.2MM 4PINS			R 10	GJ250034712199	CARBON RESISTOR	1/4WM J 470	
	L 1	GJ241112292102	INDUCTOR	2.2UH 5% Q40			R 11	GJ250033312199	CARBON RESISTOR	1/4WM J 330	
	L 2	GJ320130010103	COIL	MW RF BLOCK TK			R 12	GJ250034742199	CARBON RESISTOR	1/4WM J 470K	
	L 3	GJ320020260109	COIL	FM RF (VQC1505			R 13	GJ250035602199	CARBON RESISTOR	1/4WM J 56	
	L 4	GJ320020270109	COIL	FM OSC			R 14	GJ250033312199	CARBON RESISTOR	1/4WM J 330	
	L 5	GJ141052131	INDUCTOR	100UH 5% Q40			R 15	GJ250031532199	CARBON RESISTOR	1/4WM J 150	
	L 6	GJ241112202102	INDUCTOR	22UH 10% Q40			R 16	GJ250032202199	CARBON RESISTOR	1/4WM J 22	
	L 7	GJ141039721	FERRITE BEAD	1.1UH (F.B)			R 17	GJ250031012199	CARBON RESISTOR	1/4WM J 100	
	L 50	GJ241112212102	INDUCTOR	220UH 10% Q40			R 18	GJ250032242199	CARBON RESISTOR	1/4WM J 220K	
	L 301	GJ320060040105	BIAS COIL	BLACK R0655OD12			R 19	GJ250031222199	CARBON RESISTOR	1/4WM J 1.2K	
	L 302	GJ141039721	FERRITE BEAD	1.1UH			R 20	GJ250031012199	CARBON RESISTOR	1/4WM J 100	
	L 303	GJ141039721	FERRITE BEAD	1.1UH (F.B)			R 21	GJ250033322199	CARBON RESISTOR	1/4WM J 3.3K	
	L 304	GJ141039721	FERRITE BEAD	1.1UH (F.B)			R 22	GJ250031042199	CARBON RESISTOR	1/4WM J 100K	
	L 305	GJ241111002102	INDUCTOR	10UH 5% Q40			R 23	GJ250035622199	CARBON RESISTOR	1/4WM J 5.6K	
	L 306	GJ141039721	FERRITE BEAD	1.1UH (F.B)			R 24	GJ250035622199	CARBON RESISTOR	1/4WM J 5.6K	
	L 307	GJ141039721	FERRITE BEAD	1.1UH (F.B)			R 25	GJ250032222199	CARBON RESISTOR	1/4WM J 2.2K	
	L 601	GJ241111002102	INDUCTOR	10UH 5% Q40			R 26	GJ250032222199	CARBON RESISTOR	1/4WM J 2.2K	
	LC 1	GJ123671122	B.P.FILTER	B.P.FILTER GFMB			R 27	GJ250031012199	CARBON RESISTOR	1/4WM J 100	
	M 1	GJ381020310004	TRAY MOTOR				R 51	GJ250031022199	CARBON RESISTOR	1/4WM J 1K	
	M 2	GJ176336711	TUNERBT.MOTOR				R 52	GJ250034722199	CARBON RESISTOR	1/4WM J 4.7K	
	P-SW	GJ390070031204	PICK UP SWITCH	DOUBLE SWING			R 53	GJ250033322199	CARBON RESISTOR	1/4WM J 3.3K	
	Q 1	GJ312030141210	TRANSISTOR	KTC3194			R 54	GJ250031822199	CARBON RESISTOR	1/4WM J 1.8K	
	Q 2	GJ312030152210	TRANSISTOR	KTC3195(Y)			R 55	GJ250034722199	CARBON RESISTOR	1/4WM J 4.7K	
	Q 3	GJ872990437	TRANSISTOR	DTC114YS			R 56	GJ250034722199	CARBON RESISTOR	1/4WM J 4.7K	
	Q 4	GJ872990437	TRANSISTOR	DTC114YS			R 57	GJ250033312199	CARBON RESISTOR	1/4WM J 330	
	Q 5	GJ872903720	TRANSISTOR	KRA107M			R 58	GJ250031012199	CARBON RESISTOR	1/4WM J 100	
	Q 6	GJ872990437	TRANSISTOR	DTC114YS			R 59	GJ250031032199	CARBON RESISTOR	1/4WM J 10K	
	Q 7	GJ312030111210	TRANSISTOR	KTC3199TPGR			R 60	GJ250031022199	CARBON RESISTOR	1/4WM J 1K	
	Q 8	GJ312011231210	TRANSISTOR	KTA1267Y			R 61	GJ250031022199	CARBON RESISTOR	1/4WM J 1K	
	Q 101	GJ312030111210	TRANSISTOR	KTC3199TPGR			R 62	GJ250031022199	CARBON RESISTOR	1/4WM J 1K	
	Q 201	GJ312030111210	TRANSISTOR	KTC3199TPGR			R 63	GJ250031022199	CARBON RESISTOR	1/4WM J 1K	
	Q 301	GJ312030131210	TRANSISTOR	KTC3200 (GR)			R 64	GJ250031022199	CARBON RESISTOR	1/4WM J 1K	
	Q 302	GJ872903720	TRANSISTOR	KRA107M			R 65	GJ250031022199	CARBON RESISTOR	1/4WM J 1K	
	Q 303	GJ872903686	TRANSISTOR	KTC3203Y			R 66	GJ250034732199	CARBON RESISTOR	1/4WM J 47K	
	Q 304	GJ312011231210	TRANSISTOR	KTA1267Y			R 67	GJ250034732199	CARBON RESISTOR	1/4WM J 47K	
	Q 305	GJ872903003	TRANSISTOR	DTC144ESA			R 68	GJ250034732199	CARBON RESISTOR	1/4WM J 47K	
	Q 308	GJ872903003	TRANSISTOR	DTC144ESA			R 69	GJ250034732199	CARBON RESISTOR	1/4WM J 47K	
	Q 309	GJ872904076	TRANSISTOR	KTA1273(Y)			R 70	GJ250034732199	CARBON RESISTOR	1/4WM J 47K	
	Q 310	GJ312030111210	TRANSISTOR	KTC3199TPGR			R 71	GJ250033322199	CARBON RESISTOR	1/4WM J 3.3K	
	Q 311	GJ872904076	TRANSISTOR	KTA1273(Y)			R 72	GJ250031042199	CARBON RESISTOR	1/4WM J 100K	
	Q 312	GJ312030111210	TRANSISTOR	KTC3199TPGR			R 73	GJ250031022199	CARBON RESISTOR	1/4WM J 1K	
	Q 313	GJ872904076	TRANSISTOR	KTA1273(Y)			△ R 74	GJ250033302199	CARBON RESISTOR	1/4WM J 33	

■ Electrical parts list (Main board)

Block No. 01

△	Item	Parts number	Parts name	Remarks	Area
	R 101	GJ250033932199	CARBON RESISTOR	1/4WM J 39K	
	R 102	GJ250036822199	CARBON RESISTOR	1/4WM J 6.8K	
	R 103	GJ250032722199	CARBON RESISTOR	1/4WM J 2.7K	
	R 104	GJ250032222199	CARBON RESISTOR	1/4WM J 2.2K	
	R 105	GJ250031242199	CARBON RESISTOR	1/4WM J 120K	
	R 106	GJ250036822199	CARBON RESISTOR	1/4WM J 6.8K	
	R 107	GJ250031032199	CARBON RESISTOR	1/4WM J 10K	
	R 108	GJ250031032199	CARBON RESISTOR	1/4WM J 10K	
	R 109	GJ250031222199	CARBON RESISTOR	1/4WM J 1.2K	
	R 110	GJ250032222199	CARBON RESISTOR	1/4WM J 2.2K	
	R 111	GJ250031032199	CARBON RESISTOR	1/4WM J 10K	
	R 112	GJ250035622199	CARBON RESISTOR	1/4WM J 5.6K	
	R 113	GJ250031032199	CARBON RESISTOR	1/4WM J 10K	
	R 114	GJ250031022199	CARBON RESISTOR	1/4WM J 1K	
	R 115	GJ250032232199	CARBON RESISTOR	1/4WM J 22K	
	R 201	GJ250033932199	CARBON RESISTOR	1/4WM J 39K	
	R 202	GJ250036822199	CARBON RESISTOR	1/4WM J 6.8K	
	R 203	GJ250032722199	CARBON RESISTOR	1/4WM J 2.7K	
	R 204	GJ250032222199	CARBON RESISTOR	1/4WM J 2.2K	
	R 205	GJ250031242199	CARBON RESISTOR	1/4WM J 120K	
	R 206	GJ250036822199	CARBON RESISTOR	1/4WM J 6.8K	
	R 207	GJ250031032199	CARBON RESISTOR	1/4WM J 10K	
	R 208	GJ250031032199	CARBON RESISTOR	1/4WM J 10K	
	R 209	GJ250031222199	CARBON RESISTOR	1/4WM J 1.2K	
	R 211	GJ250031032199	CARBON RESISTOR	1/4WM J 10K	
	R 212	GJ250035622199	CARBON RESISTOR	1/4WM J 5.6K	
	R 213	GJ250031032199	CARBON RESISTOR	1/4WM J 10K	
	R 214	GJ250031022199	CARBON RESISTOR	1/4WM J 1K	
	R 215	GJ250032232199	CARBON RESISTOR	1/4WM J 22K	
	R 301	GJ250031022199	CARBON RESISTOR	1/4WM J 1K	
	R 302	GJ250032212199	CARBON RESISTOR	1/4WM J 220	
	R 303	GJ250031022199	CARBON RESISTOR	1/4WM J 1K	
	R 304	GJ250031012199	CARBON RESISTOR	1/4WM J 100	
	R 305	GJ250031032199	CARBON RESISTOR	1/4WM J 10K	
	R 306	GJ250031052199	CARBON RESISTOR	1/4WM J 1M	
	R 307	GJ250031032199	CARBON RESISTOR	1/4WM J 10K	
	R 308	GJ250031032199	CARBON RESISTOR	1/4WM J 10K	
	R 309	GJ250031002199	CARBON RESISTOR	1/4WM J 10	
	R 310	GJ250033302199	CARBON RESISTOR	1/4WM J 33	
	R 311	GJ250034792199	CARBON RESISTOR	1/4WM J 4.7	
	R 312	GJ250031022199	CARBON RESISTOR	1/4WM J 1K	
	R 316	GJ250031032199	CARBON RESISTOR	1/4WM J 10K	
	R 317	GJ250034722199	CARBON RESISTOR	1/4WM J 4.7K	
	R 319	GJ250032232199	CARBON RESISTOR	1/4WM J 22K	
	R 320	GJ250034732199	CARBON RESISTOR	1/4WM J 47K	
	R 321	GJ250032222199	CARBON RESISTOR	1/4WM J 2.2K	
	R 322	GJ250032222199	CARBON RESISTOR	1/4WM J 2.2K	
	R 323	GJ250032222199	CARBON RESISTOR	1/4WM J 2.2K	
	R 324	GJ250032222199	CARBON RESISTOR	1/4WM J 2.2K	
	R 325	GJ250032222199	CARBON RESISTOR	1/4WM J 2.2K	
	R 328	GJ250031032199	CARBON RESISTOR	1/4WM J 10K	
	R 329	GJ250032232199	CARBON RESISTOR	1/4WM J 22K	
	R 330	GJ250034732199	CARBON RESISTOR	1/4WM J 47K	
	R 331	GJ250033322199	CARBON RESISTOR	1/4WM J 3.3K	
	R 332	GJ250034722199	CARBON RESISTOR	1/4WM J 4.7K	
	R 333	GJ250031512199	CARBON RESISTOR	1/4WM J 150	
	R 334	GJ250033322199	CARBON RESISTOR	1/4WM J 3.3K	
	R 335	GJ250034722199	CARBON RESISTOR	1/4WM J 4.7K	
	R 336	GJ250031512199	CARBON RESISTOR	1/4WM J 150	
	R 337	GJ250033322199	CARBON RESISTOR	1/4WM J 3.3K	
	R 338	GJ250031022199	CARBON RESISTOR	1/4WM J 1K	
	R 339	GJ250032222199	CARBON RESISTOR	1/4WM J 2.2K	
	R 340	GJ250032222199	CARBON RESISTOR	1/4WM J 2.2K	

△	Item	Parts number	Parts name	Remarks	Area
	R 341	GJ250032222199	CARBON RESISTOR	1/4WM J 2.2K	
	R 344	GJ250031022199	CARBON RESISTOR	1/4WM J 1K	
	R 345	GJ250031022199	CARBON RESISTOR	1/4WM J 1K	
	R 346	GJ250034702199	CARBON RESISTOR	1/4WM J 47	
	R 347	GJ250031022199	CARBON RESISTOR	1/4WM J 1K	
	R 348	GJ250032222199	CARBON RESISTOR	1/4WM J 2.2K	
	R 349	GJ250032212199	CARBON RESISTOR	1/4WM J 220	
	R 350	GJ250031022199	CARBON RESISTOR	1/4WM J 1K	
	R 351	GJ250031042199	CARBON RESISTOR	1/4WM J 100K	
	R 352	GJ250031532199	CARBON RESISTOR	1/4WM J 150	
	R 353	GJ250031812199	CARBON RESISTOR	1/4WM J 180	
	R 354	GJ250038212199	CARBON RESISTOR	1/4WM J 820	
	R 355	GJ250033302199	CARBON RESISTOR	1/4WM J 33	
	R 356	GJ250032212199	CARBON RESISTOR	1/4WM J 220	
	R 357	GJ250031032199	CARBON RESISTOR	1/4WM J 10K	
	R 358	GJ250031042199	CARBON RESISTOR	1/4WM J 100K	
	R 359	GJ250034712199	CARBON RESISTOR	1/4WM J 470	
	R 361	GJ250033322199	CARBON RESISTOR	1/4WM J 3.3K	
	R 362	GJ255052291611	FUSE RESISTOR	1/4W J 2.2 OHM	
	R 363	GJ250034712199	CARBON RESISTOR	1/4WM J 470	
	R 364	GJ250034732199	CARBON RESISTOR	1/4WM J 47K	
	R 365	GJ250033322199	CARBON RESISTOR	1/4WM J 3.3K	
	R 366	GJ250036822199	CARBON RESISTOR	1/4WM J 6.8K	
	R 401	GJ250031042199	CARBON RESISTOR	1/4WM J 100K	
	R 402	GJ250036822199	CARBON RESISTOR	1/4WM J 6.8K	
	R 404	GJ250031012199	CARBON RESISTOR	1/4WM J 100	
	R 405	GJ250038222199	CARBON RESISTOR	1/4WM J 8.2K	
	R 406	GJ250038222199	CARBON RESISTOR	1/4WM J 8.2K	
	R 407	GJ250036832199	CARBON RESISTOR	1/4WM J 68K	
	R 408	GJ250033322199	CARBON RESISTOR	1/4WM J 3.3K	
	R 409	GJ250031542199	CARBON RESISTOR	1/4WM J 150K	
	R 410	GJ250031222199	CARBON RESISTOR	1/4WM J 1.2K	
	R 412	GJ250031822199	CARBON RESISTOR	1/4WM J 1.8K	
	R 413	GJ250032232199	CARBON RESISTOR	1/4WM J 22K	
	R 414	GJ250034722199	CARBON RESISTOR	1/4WM J 4.7K	
	R 415	GJ250031032199	CARBON RESISTOR	1/4WM J 10K	
	R 416	GJ250036822199	CARBON RESISTOR	1/4WM J 6.8K	
	R 417	GJ250032232199	CARBON RESISTOR	1/4WM J 22K	
	R 418	GJ250032222199	CARBON RESISTOR	1/4WM J 2.2K	
	R 421	GJ250031022199	CARBON RESISTOR	1/4WM J 1K	
	R 422	GJ250031022199	CARBON RESISTOR	1/4WM J 1K	
	R 501	GJ250031042199	CARBON RESISTOR	1/4WM J 100K	
	R 502	GJ250036822199	CARBON RESISTOR	1/4WM J 6.8K	
	R 504	GJ250031012199	CARBON RESISTOR	1/4WM J 100	
	R 505	GJ250038222199	CARBON RESISTOR	1/4WM J 8.2K	
	R 506	GJ250038222199	CARBON RESISTOR	1/4WM J 8.2K	
	R 507	GJ250036832199	CARBON RESISTOR	1/4WM J 68K	
	R 508	GJ250033322199	CARBON RESISTOR	1/4WM J 3.3K	
	R 509	GJ250031542199	CARBON RESISTOR	1/4WM J 150K	
	R 510	GJ250031222199	CARBON RESISTOR	1/4WM J 1.2K	
	R 512	GJ250031822199	CARBON RESISTOR	1/4WM J 1.8K	
	R 513	GJ250032232199	CARBON RESISTOR	1/4WM J 22K	
	R 514	GJ250034722199	CARBON RESISTOR	1/4WM J 4.7K	
	R 515	GJ250031032199	CARBON RESISTOR	1/4WM J 10K	
	R 516	GJ250036822199	CARBON RESISTOR	1/4WM J 6.8K	
	R 517	GJ250032232199	CARBON RESISTOR	1/4WM J 22K	
	R 518	GJ250032222199	CARBON RESISTOR	1/4WM J 2.2K	
	R 521	GJ250031022199	CARBON RESISTOR	1/4WM J 1K	
	R 522	GJ250031022199	CARBON RESISTOR	1/4WM J 1K	
	R 601	GJ250032722199	CARBON RESISTOR	1/4WM J 2.7K	
	R 602	GJ250031212199	CARBON RESISTOR	1/4WM J 120	
	R 603	GJ250031022199	CARBON RESISTOR	1/4WM J 1K	
	R 604	GJ250031022199	CARBON RESISTOR	1/4WM J 1K	

■ Electrical parts list (Main board)

Block No. 01

△	Item	Parts number	Parts name	Remarks	Area
	R 605	GJ250032212199	CARBON RESISTOR	1/4WM J 220	
	R 611	GJ250031032199	CARBON RESISTOR	1/4WM J 10K	
	R 615	GJ250031022199	CARBON RESISTOR	1/4WM J 1K	
	R 616	GJ250033932199	CARBON RESISTOR	1/4WM J 39K	
	R 617	GJ250031052199	CARBON RESISTOR	1/4WM J 1M	
	R 618	GJ250036832199	CARBON RESISTOR	1/4WM J 68K	
	R 619	GJ250031012199	CARBON RESISTOR	1/4WM J 100	
	R 621	GJ250036832199	CARBON RESISTOR	1/4WM J 68K	
	R 622	GJ250036832199	CARBON RESISTOR	1/4WM J 68K	
	R 623	GJ250031242199	CARBON RESISTOR	1/4WM J 120K	
	R 625	GJ250033312199	CARBON RESISTOR	1/4WM J 330	
	R 628	GJ250035622199	CARBON RESISTOR	1/4WM J 5.6K	
	R 629	GJ250031032199	CARBON RESISTOR	1/4WM J 10K	
	R 630	GJ250031032199	CARBON RESISTOR	1/4WM J 10K	
	R 631	GJ250031032199	CARBON RESISTOR	1/4WM J 10K	
	R 632	GJ250031002199	CARBON RESISTOR	1/4WM J 10	
	R 633	GJ250031002199	CARBON RESISTOR	1/4WM J 10	
	R 634	GJ250031202199	CARBON RESISTOR	1/4WM J 12	
	R 635	GJ250033932199	CARBON RESISTOR	1/4WM J 39K	
	R 636	GJ250032232199	CARBON RESISTOR	1/4WM J 22K	
	R 637	GJ250032222199	CARBON RESISTOR	1/4WM J 2.2K	
	R 638	GJ250033322199	CARBON RESISTOR	1/4WM J 3.3K	
	R 639	GJ250036822199	CARBON RESISTOR	1/4WM J 6.8K	
	R 640	GJ250036822199	CARBON RESISTOR	1/4WM J 6.8K	
	R 642	GJ250031542199	CARBON RESISTOR	1/4WM J 150K	
	R 643	GJ250035642199	CARBON RESISTOR	1/4WM J 560K	
	R 644	GJ250031842199	CARBON RESISTOR	1/4WM J 180	
	R 645	GJ250032742199	CARBON RESISTOR	1/4WM J 270	
	R 646	GJ250032242199	CARBON RESISTOR	1/4WM J 220K	
	R 647	GJ250031032199	CARBON RESISTOR	1/4WM J 10K	
	R 648	GJ250031032199	CARBON RESISTOR	1/4WM J 10K	
	R 649	GJ250032292199	CARBON RESISTOR	1/4WM J 2.2	
	R 650	GJ250034722199	CARBON RESISTOR	1/4WM J 4.7K	
	R 651	GJ250032732199	CARBON RESISTOR	1/4WM J 27K	
	R 652	GJ250031222199	CARBON RESISTOR	1/4WM J 1.2K	
	R 653	GJ250031222199	CARBON RESISTOR	1/4WM J 1.2K	
	R 654	GJ250031232199	CARBON RESISTOR	1/4WM J 12K	
	R 655	GJ250032432199	CARBON RESISTOR	1/4WM J 24K	
	R 656	GJ250032722199	CARBON RESISTOR	1/4WM J 2.7K	
	R 657	GJ250033922199	CARBON RESISTOR	1/4WM J 3.9K	
	R 659	GJ250031042199	CARBON RESISTOR	1/4WM J 100K	
	R 660	GJ250036822199	CARBON RESISTOR	1/4WM J 6.8K	
	R 661	GJ250033322199	CARBON RESISTOR	1/4WM J 3.3K	
	R 662	GJ250031022199	CARBON RESISTOR	1/4WM J 1K	
	R 663	GJ250031022199	CARBON RESISTOR	1/4WM J 1K	
	R 664	GJ250036822199	CARBON RESISTOR	1/4WM J 6.8K	
	R 665	GJ250036822199	CARBON RESISTOR	1/4WM J 6.8K	
	R 666	GJ250031022199	CARBON RESISTOR	1/4WM J 1K	
	R 667	GJ250031832199	CARBON RESISTOR	1/4WM J 18K	
	R 668	GJ250032722199	CARBON RESISTOR	1/4WM J 2.7K	
	R 669	GJ250032712199	CARBON RESISTOR	1/4WM J 270	
	R 670	GJ250033942199	CARBON RESISTOR	1/4WM J 390K	
	R 671	GJ250038222199	CARBON RESISTOR	1/4WM J 8.2K	
	R 672	GJ250035642199	CARBON RESISTOR	1/4WM J 560K	
	R 673	GJ250035642199	CARBON RESISTOR	1/4WM J 560K	
	R 675	GJ250038222199	CARBON RESISTOR	1/4WM J 8.2K	
	R210R	GJ250032222199	CARBON RESISTOR	1/4WM J 2.2K	
	SW703	GJ390170021204	SWITCH	DETECTOR SWITCH	
	SW704	GJ390170021204	SWITCH	120688	
	T 1	GJ321000720109	IFT	7MM BLACK PCFA	
	T-SW	GJ390070031204	TRAY SWITCH	DOUBLE SWING SW	
	W 603	GJ354005930100	WIRE KIT		
	W 606	GJ353030180107	CABLE FLAT	3PIN P=2MM L=1	

△	Item	Parts number	Parts name	Remarks	Area
	W 607	GJ353020120207	FLAT CABLE		
	W 608	GJ354005380100	WIRE KIT	2PINS P=2.0MM L	
	WK307	GJ354005940100	WIRE KIT	3PINS P=2MM	
	WK308	GJ354005950100	WIRE KIT		
	X 1	GJ361000130003	X'TAL	75KHZ +/-20PPM(V	
	X 601	GJ361000400009	CRYSTAL	16.9344MHZ HC49	

■ Electrical parts list (Control board)

Block No. 02

△	Item	Parts number	Parts name	Remarks	Area
	C 701	GJ264291042101	C.CAPACITOR	0.1MF FF 50V	
	C 702	GJ270112270310	E.CAPACITOR	10V VX M 220UF	
	C 703	GJ270112270310	E.CAPACITOR	10V VX M 220UF	
	C 704	GJ270112270310	E.CAPACITOR	10V VX M 220UF	
	C 705	GJ116229421	C.CAPACITOR	50V B K 1000PF	
	C 706	GJ116229421	C.CAPACITOR	50V B K 1000PF	
	C 707	GJ116221321	C.CAPACITOR	50V SL J 39PF	
	C 708	GJ116221121	C.CAPACITOR	50V SL J 33PF	
	C 709	GJ116220721	C.CAPACITOR	50V SL J 22PF	
	C 710	GJ116220721	C.CAPACITOR	50V SL J 22PF	
	C 711	GJ116220721	C.CAPACITOR	50V SL J 22PF	
	C 712	GJ116220721	C.CAPACITOR	50V SL J 22PF	
	C 713	GJ264291042101	C.CAPACITOR	0.1MF FF 50V	
	C 714	GJ116230621	C.CAPACITOR	16V Y M 0.01UF	
	C 715	GJ116229421	C.CAPACITOR	50V B K 1000PF	
	C 716	GJ270114760310	E.CAPACITOR	10V M 47UF	
	C 717	GJ264291042101	C.CAPACITOR	0.1MF FF 50V	
	C 718	GJ270192260310	E.CAPACITOR	50V M 22UF	
	C 719	GJ270192260310	E.CAPACITOR	50V M 22UF	
	C 723	GJ270191050310	E.CAPACITOR	50V VX M 1UF	
	C 740	GJ116228221	C.CAPACITOR	50V B K 100PF	
	CN701	GJ340021110102	CONNECTOR	P=1.25MM RA 11	
	CN702	GJ340021200102	CONNECTOR	P=1.25MM RA 20	
	CN703	GJ340021210102	CONNECTOR	P=1.25MM RA 21P	
	C1001	GJ116230621	C.CAPACITOR	16V Y M 0.01UF	
	C1002	GJ116230621	C.CAPACITOR	16V Y M 0.01UF	
	C1051	GJ264141022199	C.CAPACITOR	50V B K 1000PF	
	C1052	GJ264141022199	C.CAPACITOR	50V B K 1000PF	
	C1053	GJ264141022199	C.CAPACITOR	50V B K 1000PF	
	C1054	GJ264141022199	C.CAPACITOR	50V B K 1000PF	
	D 701	GJ871999133	DIODE	1SS133T77	
	D 702	GJ871999133	DIODE	1SS133T77	
	D 703	GJ871999133	DIODE	1SS133T77	
	D 705	GJ871999133	DIODE	1SS133T77	
	FL701	GJ373020041000	FL DISPLAY	DISPLAY FL BJ82	
	FW101	GJ353040400107	FUSE RESISTOR	4PINS P=2.5 L=4	
	FW701	GJ353100200107	CABLE FLAT	P=2.54 10PINS U	
	FW702	GJ353200180107	FFC CABLE	FFC/FPC L=180M	
	FW703	GJ353210180107	FFC CABLE	FFC/FPC L=180M	
	IC701	GJ313010662223	IC	MN101C35DYC	
	IC702	GJ313040901006	IC	SPS4401E(IR SEN	
	J 101	GJ342010300113	H/P JACK	D=3.5MM (MSJ03	
	L 701	GJ241112202102	INDUCTOR	10UH 5% Q40	
	L 702	GJ241111002102	INDUCTOR	10UH 5% Q40	
	L 703	GJ141039721	FERRITE BEAD	1.1UH (F.B)	
	L 707	GJ241111002102	INDUCTOR	10UH 5% Q40	
	LED01	GJ374301012101	LED		
	L1051	GJ241114702102	INDUCTOR	INDUCTOR 47UH 1	
	L1052	GJ241114702102	INDUCTOR	INDUCTOR 47UH 1	
	L1053	GJ371010100005	FERRITE BEAD	LGK0305TBA	
	Q 701	GJ312030111210	TRANSISTOR	KTC3199TP	
	Q 702	GJ312030111210	TRANSISTOR	KTC3199TP	
	Q 703	GJ312030111210	TRANSISTOR	KTC3199TP	
	Q 704	GJ312030152210	TRANSISTOR	KTC3195(Y)	
	Q 705	GJ312030152210	TRANSISTOR	KTC3195(Y) (TAP	
	Q 706	GJ312011231210	TRANSISTOR	KTA1267Y	
	Q 707	GJ872990437	TRANSISTOR	DTC114YS	
	Q 711	GJ312011171210	TRANSISTOR	KRA102M	
	Q 713	GJ872990437	TRANSISTOR	DTC114YS	
	Q 714	GJ312030111210	TRANSISTOR	KTC3199TP	
	Q 715	GJ312030111210	TRANSISTOR	KTC3199TP	
	R 138	GJ250056812510	CARBON RESISTOR		
	R 238	GJ250056812510	CARBON RESISTOR		

△	Item	Parts number	Parts name	Remarks	Area
	R 701	GJ250032242199	CARBON RESISTOR	1/4WM J 220K	
	R 702	GJ250032242199	CARBON RESISTOR	1/4WM J 220K	
	R 703	GJ250032242199	CARBON RESISTOR	1/4WM J 220K	
	R 704	GJ250031032199	CARBON RESISTOR	1/4WM J 10K	
	R 705	GJ250031032199	CARBON RESISTOR	1/4WM J 10K	
	R 706	GJ250031032199	CARBON RESISTOR	1/4WM J 10K	
	R 707	GJ250031022199	CARBON RESISTOR	1/4WM J 1K	
	R 709	GJ250031022199	CARBON RESISTOR	1/4WM J 1K	
	R 710	GJ250031022199	CARBON RESISTOR	1/4WM J 1K	
	R 711	GJ250031022199	CARBON RESISTOR	1/4WM J 1K	
	R 712	GJ250031022199	CARBON RESISTOR	1/4WM J 1K	
	R 713	GJ250034732199	CARBON RESISTOR	1/4WM J 47K	
	R 714	GJ250032222199	CARBON RESISTOR	1/4WM J 2.2K	
	R 715	GJ250034732199	CARBON RESISTOR	1/4WM J 47K	
	R 716	GJ250032222199	CARBON RESISTOR	1/4WM J 2.2K	
	R 717	GJ250031022199	CARBON RESISTOR	1/4WM J 1K	
	R 718	GJ250031032199	CARBON RESISTOR	1/4WM J 10K	
	R 719	GJ250032222199	CARBON RESISTOR	1/4WM J 2.2K	
	R 720	GJ250031022199	CARBON RESISTOR	1/4WM J 1K	
	R 721	GJ250031022199	CARBON RESISTOR	1/4WM J 1K	
	R 722	GJ250031022199	CARBON RESISTOR	1/4WM J 1K	
	R 723	GJ250032212199	CARBON RESISTOR	1/4WM J 220	
	R 724	GJ250031022199	CARBON RESISTOR	1/4WM J 1K	
	R 725	GJ250033312199	CARBON RESISTOR	1/4WM J 330	
	R 726	GJ250031032199	CARBON RESISTOR	1/4WM J 10K	
	R 727	GJ250031022199	CARBON RESISTOR	1/4WM J 1K	
	R 728	GJ250031022199	CARBON RESISTOR	1/4WM J 1K	
	R 729	GJ250031022199	CARBON RESISTOR	1/4WM J 1K	
	R 730	GJ250031022199	CARBON RESISTOR	1/4WM J 1K	
	R 731	GJ250031022199	CARBON RESISTOR	1/4WM J 1K	
	R 732	GJ250031022199	CARBON RESISTOR	1/4WM J 1K	
	R 733	GJ250034722199	CARBON RESISTOR	1/4WM J 4.7K	
	R 734	GJ250034722199	CARBON RESISTOR	1/4WM J 4.7K	
	R 736	GJ250031022199	CARBON RESISTOR	1/4WM J 1K	
	R 737	GJ250031022199	CARBON RESISTOR	1/4WM J 1K	
	R 738	GJ250032212199	CARBON RESISTOR	1/4WM J 220	
	R 739	GJ250032212199	CARBON RESISTOR	1/4WM J 220	
	R 740	GJ250032212199	CARBON RESISTOR	1/4WM J 220	
	R 741	GJ250033312199	CARBON RESISTOR	1/4WM J 330	
	R 742	GJ250032222199	CARBON RESISTOR	1/4WM J 2.2K	
	R 743	GJ250032222199	CARBON RESISTOR	1/4WM J 2.2K	
	R 744	GJ250032212199	CARBON RESISTOR	1/4WM J 220	
	R 745	GJ250032222199	CARBON RESISTOR	1/4WM J 2.2K	
	R 746	GJ250032222199	CARBON RESISTOR	1/4WM J 2.2K	
	R 747	GJ250032222199	CARBON RESISTOR	1/4WM J 2.2K	
	R 748	GJ250032222199	CARBON RESISTOR	1/4WM J 2.2K	
	R 749	GJ250034722199	CARBON RESISTOR	1/4WM J 4.7K	
	R 750	GJ250034722199	CARBON RESISTOR	1/4WM J 4.7K	
	R 751	GJ250034722199	CARBON RESISTOR	1/4WM J 4.7K	
	R 752	GJ250034722199	CARBON RESISTOR	1/4WM J 4.7K	
	R 753	GJ250032222199	CARBON RESISTOR	1/4WM J 2.2K	
	R 754	GJ250032222199	CARBON RESISTOR	1/4WM J 2.2K	
	R 755	GJ250032222199	CARBON RESISTOR	1/4WM J 2.2K	
	R 756	GJ250032222199	CARBON RESISTOR	1/4WM J 2.2K	
	R 757	GJ250031022199	CARBON RESISTOR	1/4WM J 1K	
	R 758	GJ250032222199	CARBON RESISTOR	1/4WM J 2.2K	
	R 761	GJ250034732199	CARBON RESISTOR	1/4WM J 47K	
	R 762	GJ250031032199	CARBON RESISTOR	1/4WM J 10K	
	R 763	GJ250034732199	CARBON RESISTOR	1/4WM J 47K	
	R 764	GJ250034732199	CARBON RESISTOR	1/4WM J 47K	
	R 768	GJ250031032199	CARBON RESISTOR	1/4WM J 10K	
	R 769	GJ250031022199	CARBON RESISTOR	1/4WM J 1K	
	R 770	GJ250032222199	CARBON RESISTOR	1/4WM J 2.2K	

■ Electrical parts list (Control board)

Block No. 02

△	Item	Parts number	Parts name	Remarks	Area	△	Item	Parts number	Parts name	Remarks	Area
	R 772	GJ25003222199	CARBON RESISTOR	1/4WM J 2.2K			R1017	GJ250036812199	CARBON RESISTOR	1/4WM J 680	
	R 773	GJ25003222199	CARBON RESISTOR	1/4WM J 2.2K			R1018	GJ250036812199	CARBON RESISTOR	1/4WM J 680	
	R 774	GJ250031822199	CARBON RESISTOR	1/4WM J 1.8K			R1019	GJ250038212199	CARBON RESISTOR	1/4WM J 820	
	R 775	GJ250031022199	CARBON RESISTOR	1/4WM J 1K			R1020	GJ250031022199	CARBON RESISTOR	1/4WM J 1K	
	R 776	GJ250031032199	CARBON RESISTOR	1/4WM J 10K			R1021	GJ250031522199	CARBON RESISTOR	1/4WM J 1.5K	
	R 777	GJ250034732199	CARBON RESISTOR	1/4WM J 47K			R1022	GJ25003222199	CARBON RESISTOR	1/4WM J 2.2K	
	R 778	GJ250031022199	CARBON RESISTOR	1/4WM J 1K			R1023	GJ250032722199	CARBON RESISTOR	1/4WM J 2.7K	
	R 779	GJ250031032199	CARBON RESISTOR	1/4WM J 10K			R1024	GJ250035622199	CARBON RESISTOR	1/4WM J 5.6K	
	R 780	GJ25003222199	CARBON RESISTOR	1/4WM J 2.2K			R1025	GJ250031232199	CARBON RESISTOR	1/4WM J 12K	
	R 781	GJ250031022199	CARBON RESISTOR	1/4WM J 1K			R1026	GJ250036812199	CARBON RESISTOR	1/4WM J 680	
	R 782	GJ25003222199	CARBON RESISTOR	1/4WM J 2.2K			R1027	GJ250036812199	CARBON RESISTOR	1/4WM J 680	
	R 783	GJ250034732199	CARBON RESISTOR	1/4WM J 47K			R1028	GJ250038212199	CARBON RESISTOR	1/4WM J 820	
	R 784	GJ25003222199	CARBON RESISTOR	1/4WM J 2.2K			R1029	GJ250031522199	CARBON RESISTOR	1/4WM J 1.5K	
	R 785	GJ25003222199	CARBON RESISTOR	1/4WM J 2.2K			R1029	GJ250031022199	CARBON RESISTOR	1/4WM J 1K	
	R 786	GJ250031032199	CARBON RESISTOR	1/4WM J 10K			R1031	GJ25003222199	CARBON RESISTOR	1/4WM J 2.2K	
	R 787	GJ250031032199	CARBON RESISTOR	1/4WM J 10K			R1032	GJ250032722199	CARBON RESISTOR	1/4WM J 2.7K	
	R 788	GJ250031022199	CARBON RESISTOR	1/4WM J 1K			R1033	GJ250035622199	CARBON RESISTOR	1/4WM J 5.6K	
	R 789	GJ25003222199	CARBON RESISTOR	1/4WM J 2.2K			R1034	GJ250031232199	CARBON RESISTOR	1/4WM J 12K	
	R 790	GJ250031022199	CARBON RESISTOR	1/4WM J 1K			R1037	GJ250032232199	CARBON RESISTOR	1/4WM J 22K	
	R 791	GJ250031022199	CARBON RESISTOR	1/4WM J 1K			R1038	GJ250032232199	CARBON RESISTOR	1/4WM J 22K	
	R 792	GJ250033312199	CARBON RESISTOR	1/4WM J 330			R1039	GJ250031242199	CARBON RESISTOR	1/4WM J 120K	
	RA701	GJ250032242199	CARBON RESISTOR	1/4WM J 220K			R1040	GJ250031242199	CARBON RESISTOR	1/4WM J 120K	
	RA702	GJ250032242199	CARBON RESISTOR	1/4WM J 220K			R1041	GJ250035632199	CARBON RESISTOR	1/4WM J 56K	
	RA703	GJ250032242199	CARBON RESISTOR	1/4WM J 220K			R1042	GJ250035632199	CARBON RESISTOR	1/4WM J 56K	
	RA704	GJ250032242199	CARBON RESISTOR	1/4WM J 220K			R1043	GJ250034732199	CARBON RESISTOR	1/4WM J 47K	
	RA705	GJ250032242199	CARBON RESISTOR	1/4WM J 220K			R1047	GJ250034732199	CARBON RESISTOR	1/4WM J 47K	
	RA706	GJ250032242199	CARBON RESISTOR	1/4WM J 220K			R1048	GJ250031032199	CARBON RESISTOR	1/4WM J 10K	
	RA707	GJ250032242199	CARBON RESISTOR	1/4WM J 220K			R1060	GJ250034732199	CARBON RESISTOR	1/4WM J 47K	
	RA708	GJ250032242199	CARBON RESISTOR	1/4WM J 220K			R1061	GJ250031022199	CARBON RESISTOR	1/4WM J 1K	
	RA709	GJ250032242199	CARBON RESISTOR	1/4WM J 220K			R1062	GJ250032212199	CARBON RESISTOR	1/4WM J 220	
	RA710	GJ250032242199	CARBON RESISTOR	1/4WM J 220K			R1063	GJ250032212199	CARBON RESISTOR	1/4WM J 220	
	RA711	GJ250032242199	CARBON RESISTOR	1/4WM J 220K			R1064	GJ250031232199	CARBON RESISTOR	1/4WM J 12K	
	RA712	GJ250032242199	CARBON RESISTOR	1/4WM J 220K			R1065	GJ250031022199	CARBON RESISTOR	1/4WM J 1K	
	RA713	GJ250032242199	CARBON RESISTOR	1/4WM J 220K			R1066	GJ250031032199	CARBON RESISTOR	1/4WM J 10K	
	RA714	GJ250032242199	CARBON RESISTOR	1/4WM J 220K			R1067	GJ250031022199	CARBON RESISTOR	1/4WM J 1K	
	RA715	GJ250032242199	CARBON RESISTOR	1/4WM J 220K			R1068	GJ250031032199	CARBON RESISTOR	1/4WM J 10K	
	RA716	GJ250032242199	CARBON RESISTOR	1/4WM J 220K			R1069	GJ250034732199	CARBON RESISTOR	1/4WM J 47K	
	RA717	GJ250032242199	CARBON RESISTOR	1/4WM J 220K			R1070	GJ250034732199	CARBON RESISTOR	1/4WM J 47K	
	RA718	GJ250032242199	CARBON RESISTOR	1/4WM J 220K			R1071	GJ250034732199	CARBON RESISTOR	1/4WM J 47K	
	RA719	GJ250032242199	CARBON RESISTOR	1/4WM J 220K			R1072	GJ250034732199	CARBON RESISTOR	1/4WM J 47K	
	RA720	GJ250032242199	CARBON RESISTOR	1/4WM J 220K			R1073	GJ250034732199	CARBON RESISTOR	1/4WM J 47K	
	RA721	GJ250032242199	CARBON RESISTOR	1/4WM J 220K			R1074	GJ250034732199	CARBON RESISTOR	1/4WM J 47K	
	RA722	GJ250032242199	CARBON RESISTOR	1/4WM J 220K			R1075	GJ250034732199	CARBON RESISTOR	1/4WM J 47K	
	RA723	GJ250032242199	CARBON RESISTOR	1/4WM J 220K			S1001	GJ390110181120	TACT SWITCH	(POWER)	
	RA724	GJ250032242199	CARBON RESISTOR	1/4WM J 220K			SW101	GJ299000570003	VR ENCODER	VR EVEKD2F3024B	
	RA725	GJ250032242199	CARBON RESISTOR	1/4WM J 220K			S1002	GJ390110181120	TACT SWITCH	(TAPE)	
	RA726	GJ250032242199	CARBON RESISTOR	1/4WM J 220K			S1003	GJ390110181120	TACT SWITCH	(AUX)	
	RA727	GJ250032242199	CARBON RESISTOR	1/4WM J 220K			S1004	GJ390110181120	TACT SWITCH	(BAND)	
	RA728	GJ250032242199	CARBON RESISTOR	1/4WM J 220K			S1005	GJ390110181120	TACT SWITCH	(CANCEL)	
	RA729	GJ250032242199	CARBON RESISTOR	1/4WM J 220K			S1006	GJ390110181120	TACT SWITCH	(SET)	
	R1001	GJ250036812199	CARBON RESISTOR	1/4WM J 680			S1007	GJ390110181120	TACT SWITCH	(CD)	
	R1002	GJ250036812199	CARBON RESISTOR	1/4WM J 680			S1008	GJ390110181120	TACT SWITCH	(CD1)	
	R1003	GJ250038212199	CARBON RESISTOR	1/4WM J 820			S1009	GJ390110181120	TACT SWITCH	(CD2)	
	R1004	GJ250031022199	CARBON RESISTOR	1/4WM J 1K			S1010	GJ390110181120	TACT SWITCH	(CD3)	
	R1005	GJ250031522199	CARBON RESISTOR	1/4WM J 1.5K			S1011	GJ390110181120	TACT SWITCH	(EJECT)	
	R1008	GJ250036812199	CARBON RESISTOR	1/4WM J 680			S1012	GJ390110181120	TACT SWITCH	(DISC)	
	R1009	GJ250036812199	CARBON RESISTOR	1/4WM J 680			S1013	GJ390110181120	TACT SWITCH	(DECK A/B)	
	R1010	GJ250036812199	CARBON RESISTOR	1/4WM J 680			S1014	GJ390110181120	TACT SWITCH	(TIM/CLK)	
	R1011	GJ250038212199	CARBON RESISTOR	1/4WM J 820			S1015	GJ390110181120	TACT SWITCH	(STOP)	
	R1012	GJ250031022199	CARBON RESISTOR	1/4WM J 1K			S1016	GJ390110181120	TACT SWITCH	(TUN+)	
	R1013	GJ250031522199	CARBON RESISTOR	1/4WM J 1.5K			S1017	GJ390110181120	TACT SWITCH	(TUN)	
	R1014	GJ25003222199	CARBON RESISTOR	1/4WM J 2.2K			S1018	GJ390110181120	TACT SWITCH	(PRESET)	
	R1015	GJ250032722199	CARBON RESISTOR	1/4WM J 2.7K			S1019	GJ390110181120	TACT SWITCH	(PRESET+)	

■ Electrical parts list (Control board)

Block No. 02

△	Item	Parts number	Parts name	Remarks	Area
	S1020	GJ390110181120	TACT SWITCH	(ROCK)	
	S1021	GJ390110181120	TACT SWITCH	(CLASSIC)	
	S1022	GJ390110181120	TACT SWITCH	(POP)	
	S1023	GJ390110181120	TACT SWITCH	TACT SWITCH (A.	
	S1025	GJ390110181120	TACT SWITCH	(REC)	
	S1026	GJ390110181120	TACT SWITCH	(DUBBING)	
	S1027	GJ390110181120	TACT SWITCH	(CD REC)	
	S1028	GJ390110181120	TACT SWITCH	(REPEAT)	
	S1029	GJ390110181120	TACT SWITCH	(PROGRAM)	
	S1030	GJ390110181120	TACT SWITCH	(RANDOM)	
	S1031	GJ390110181120	TACT SWITCH	(DISPLAY)	
	S1032	GJ390110181120	TACT SWITCH	(PTY/EON)	
	S1033	GJ390110181120	TACT SWITCH	(SELECT+)	
	S1034	GJ390110181120	TACT SWITCH	(SELECT)	
	X 701	GJ362000370001	XTAL	CSA8.00MTZ 200	
	X 702	GJ361000230009	CRYSTAL	32.768KHZ DT38	

■ Electrical parts list (Power supply board) Block No. 03

△	Item	Parts number	Parts name	Remarks	Area	△	Item	Parts number	Parts name	Remarks	Area
	AI	GJ190301420101	AI				D 915	GJ310030012705	DIODE	MTZJT776.8B	
	C 115	GJ270192256399	E. CAPACITOR	50V SBP M 2.2MF		△	D 921	GJ310020010108	DIODE	1N5401	
	C 116	GJ264141012199	C.CAPACITOR	50V B K 100PF		△	D 922	GJ310020010108	DIODE	1N5401	
	C 117	GJ264141012199	C.CAPACITOR	50V B K 100PF		△	D 923	GJ310020010108	DIODE	1N5401	
	C 118	GJ270194760399	E. CAPACITOR	50V VX M 47UF		△	D 924	GJ310020010108	DIODE	1N5401	
	C 119	GJ264032702199	C.CAPACITOR	50V SL J 27PF			IC101	GJ313070411018	IC	TDA7295	
	C 121	GJ270192260399	E. CAPACITOR	50V VX M 22UF		△	IC201	GJ313070411018	IC	TDA7295	
	C 122	GJ283111042499	P.CAPACITOR	100V K 0.1UF			J 303	GJ342020150913	JACK	4PINS RED/BLACK	
	C 123	GJ283111042499	P.CAPACITOR	100V K 0.1UF			Q 104	GJ312030111210	TRANSISTOR	KTC3199TP	
	C 215	GJ270192256399	E. CAPACITOR	50V SBP M 2.2MF			Q 204	GJ312030111210	TRANSISTOR	KTC3199TP	
	C 216	GJ264141012199	C.CAPACITOR	50V B K 100PF			Q 301	GJ312010461303	TRANSISTOR	DTA114YS	
	C 217	GJ264141012199	C.CAPACITOR	50V B K 100PF			Q 901	GJ312090191203	TRANSISTOR	2SA934R	
	C 218	GJ270194760399	E. CAPACITOR	50V VX M 47UF			Q 902	GJ312010331203	TRANSISTOR	DTA114YS	
	C 219	GJ264032702199	C.CAPACITOR	50V SL J 27PF			Q 902	GJ312010331203	TRANSISTOR	DTA114YS	
	C 221	GJ270192260399	E. CAPACITOR	50V VX M 22UF		△	Q 903	GJ312010331203	TRANSISTOR	DTA114YS	
	C 222	GJ283111042499	P.CAPACITOR	100V K 0.1UF			Q 904	GJ312011241210	TRANSISTOR	KTB1366Y (TAPE)	
	C 223	GJ283111042499	P.CAPACITOR	100V K 0.1UF			Q 905	GJ312030111210	TRANSISTOR	KTC3199TP	
	C 223	GJ283111042499	P.CAPACITOR	100V K 0.1UF			Q 906	GJ312030111210	TRANSISTOR	KTC3199TP	
	C 314	GJ270141060399	E.CAPACITOR	25V VX M 10UF		△	Q 907	GJ312011241210	TRANSISTOR	KTB1366Y (TAPE)	
	C 315	GJ270191050399	E.CAPACITOR	50V VX M 1UF			Q 908	GJ312011231210	TRANSISTOR	KTA1267Y (TAPE)	
	C 322	GJ270192250399	E.CAPACITOR	50V VX M 2.2UF			Q 909	GJ312010461303	TRANSISTOR	DTA114YS	
	C 323	GJ270191060399	E.CAPACITOR	50V VX M 10UF			Q 910	GJ312010331203	TRANSISTOR	DTA114YS	
	C 324	GJ270191060399	E.CAPACITOR	50V VX M 10UF			Q 911	GJ312030111210	TRANSISTOR	KTC3199TP	
	C 390	GJ270112270399	E.CAPACITOR	10V VX M 220UF			Q 912	GJ312010331203	TRANSISTOR	DTA114YS	
	C 901	GJ111067121	C.CAPACITOR	47000PF F Z 50			R 120	GJ250033322199	CARBON RESISTOR	1/4WM J 3.3K	
	C 902	GJ111067121	C.CAPACITOR	47000PF F Z 50			R 121	GJ250031032199	CARBON RESISTOR	1/4WM J 10K	
	C 903	GJ111067121	C.CAPACITOR	47000PF F Z 50			R 122	GJ250034722199	CARBON RESISTOR	1/4WM J 4.7K	
	C 904	GJ111067121	C.CAPACITOR	47000PF F Z 50			R 123	GJ250035632199	CARBON RESISTOR	1/4WM J 56K	
△	C 905	GJ270192282299	E.CAPACITOR				R 124	GJ250032722199	CARBON RESISTOR	1/4WM J 2.7K	
△	C 906	GJ270192282299	E.CAPACITOR	50V M 2200UF			R 125	GJ250035632199	CARBON RESISTOR	1/4WM J 56K	
	C 907	GJ264291042101	C.CAPACITOR	0.1MF FF 50V			R 127	GJ250031222199	CARBON RESISTOR	1/4WM J 1.2K	
	C 908	GJ264291042101	C.CAPACITOR	0.1MF FF 50V			R 129	GJ250032202199	CARBON RESISTOR	1/4WM J 22	
	C 909	GJ264291042101	C.CAPACITOR	0.1MF FF 50V			R 130	GJ250032202199	CARBON RESISTOR	1/4WM J 22	
	C 910	GJ264291042101	C.CAPACITOR	0.1MF FF 50V			R 131	GJ250031032199	CARBON RESISTOR	1/4WM J 10K	
△	C 911	GJ270144780199	E.CAPACITOR	25V M 4700UF			R 147	GJ250031022199	CARBON RESISTOR	1/4WM J 1K	
	C 912	GJ270304760399	E. CAPACITOR	63V VX M 47UF			R 151	GJ250031022199	CARBON RESISTOR	1/4WM J 1K	
	C 913	GJ270192260399	E. CAPACITOR	50V VX M 22UF			R 220	GJ250033322199	CARBON RESISTOR	1/4WM J 3.3K	
	C 914	GJ116230621	C.CAPACITOR	16V Y M 0.01UF			R 221	GJ250031032199	CARBON RESISTOR	1/4WM J 10K	
	C 915	GJ270192260399	E. CAPACITOR	50V VX M 22UF			R 222	GJ250034722199	CARBON RESISTOR	1/4WM J 4.7K	
	C 917	GJ270192250399	E.CAPACITOR	50V VX M 2.2UF			R 223	GJ250035632199	CARBON RESISTOR	1/4WM J 56K	
	C 918	GJ116230621	C.CAPACITOR	16V Y M 0.01UF			R 224	GJ250032722199	CARBON RESISTOR	1/4WM J 2.7K	
	C 919	GJ270111070399	E.CAPACITOR	10V M 100UF			R 225	GJ250035632199	CARBON RESISTOR	1/4WM J 56K	
	C 920	GJ264291042101	C.CAPACITOR	0.1MF FF 50V			R 227	GJ250031222199	CARBON RESISTOR	1/4WM J 1.2K	
	C 921	GJ270121070399	E.CAPACITOR	16V VX M 100UF			R 230	GJ250032202199	CARBON RESISTOR	1/4WM J 22	
	C 922	GJ270141060399	E.CAPACITOR	25V VX M 10UF			R 231	GJ250031032199	CARBON RESISTOR	1/4WM J 10K	
	CN101	GJ340072050102	CONNECTOR	5PINS P=2.5MM			R 247	GJ250031022199	CARBON RESISTOR	1/4WM J 1K	
	CN901	GJ340022110102	FFC CONNECTOR	P=1.25MM 11PIN			R 251	GJ250031022199	CARBON RESISTOR	1/4WM J 1K	
	CN902	GJ340072040102	CONNECTOR	4 PIN P=2.5MM			R 290	GJ250032202199	CARBON RESISTOR	1/4WM J 22	
	CN951	GJ340072040102	CONN.TERMINAL	4PINS P=2.5MM			R 307	GJ250032232199	CARBON RESISTOR	1/4WM J 22K	
	CN951	GJ340072050102	CONNECTOR	5PINS P=2.5MM			R 311	GJ250032232199	CARBON RESISTOR	1/4WM J 22K	
	D 301	GJ310020030105	DIODE	1N4002AT93			R 313	GJ250034712199	CARBON RESISTOR	1/4WM J 470	
	D 304	GJ310010220205	DIODE	1SS133T77			R 314	GJ250034742199	CARBON RESISTOR	1/4WM J 470K	
△	D 902	GJ310020020104	DIODE	1N4001			R 316	GJ250031022199	CARBON RESISTOR	1/4WM J 1K	
△	D 903	GJ310020020104	DIODE	1N4001			R 390	GJ250035612199	CARBON RESISTOR	1/4WM J 560	
△	D 904	GJ310020020104	DIODE	1N4001			R 391	GJ250032222199	CARBON RESISTOR	1/4WM J 2.2K	
△	D 905	GJ310020020104	DIODE	1N4001			R 901	GJ250034722199	CARBON RESISTOR	1/4WM J 4.7K	
	D 906	GJ310020020104	DIODE	1N4001			△ R 902	GJ25051011699	FUSE RESISTOR.	1/4W J 100	
	D 907	GJ310030018905	DIODE	MTZJT7733C			R 903	GJ250032222199	CARBON RESISTOR	1/4WM J 2.2K	
	D 908	GJ310030011105	DIODE	MTZJT776.2A			R 904	GJ250031012199	CARBON RESISTOR	1/4WM J 100	
	D 909	GJ310010220205	DIODE	1SS133T77			R 905	GJ250031012199	CARBON RESISTOR	1/4WM J 100	
	D 910	GJ310030011105	DIODE	MTZJT776.2A			R 906	GJ250031032199	CARBON RESISTOR	1/4WM J 10K	
	D 911	GJ871992337	ZENER DIODE	MTZJT775.6A			R 907	GJ250031022199	CARBON RESISTOR	1/4WM J 1K	
	D 912	GJ310030133305	DIODE	MTZJT7712C			△ R 908	GJ25052291699	FUSE RESISTOR	1/4W J 2.2 OHM	
	D 913	GJ310030015805	DIODE	MTZJT7711B			R 909	GJ250034732199	CARBON RESISTOR	1/4WM J 4.7K	

■ Electrical parts list (Amp board)

Block No. 03

△	Item	Parts number	Parts name	Remarks	Area
	R 910	GJ250032232199	CARBON RESISTOR	1/4WM J 22K	
	R 911	GJ250033322199	CARBON RESISTOR	1/4WM J 3.3K	
	R 912	GJ250034712199	CARBON RESISTOR	1/4WM J 470	
	R 913	GJ250034712199	CARBON RESISTOR	1/4WM J 470	
	R 914	GJ250031092199	CARBON RESISTOR	1/4WM J 1	
	R 915	GJ250031092199	CARBON RESISTOR	1/4WM J 1	
	R 916	GJ250031092199	CARBON RESISTOR	1/4WM J 1	
	R 917	GJ250031022199	CARBON RESISTOR	1/4WM J 1K	
	R 918	GJ250031032199	CARBON RESISTOR	1/4WM J 10K	

■ Electrical parts list (Power supply board)

Block No. 04

△	Item	Parts number	Parts name	Remarks	Area
△	F 951	GJ369000680009	FUSE	250V D=5X20MM	
△	F 952	GJ369000600009	FUSE	250V D=5X20MM	
	FW951	GJ353090190107	CABLE FLAT	CABLE FLAT 9PIN	
	HF951	GJ153321741	FUSE HOLDER		
	HF952	GJ153321741	FUSE HOLDER		
	R 951	GJ251273352201	CARBON RESISTOR	1/2W 3.3M 5% W	
	TB901	GJ727000010000	SOLDERRING	LUG (TP0047341)	
	TB902	GJ727000010000	SOLDERRING	LUG (TP0047341)	
△	T951	GJ336660190013	POWER TRANS	EI66 AC120V 60	

■ Electrical parts list (Remote control board)

Block No. 05

△	Item	Parts number	Parts name	Remarks	Area
	C 1	GJ270104763399	E. CAPACITOR		
	C 2	GJ116303891	CHIP CAPACITOR	0.1UFF(2012)25V	
	C 3	GJ116325191	CHIP CAPACITOR	100PF(2012)	
	C 4	GJ116325191	CHIP CAPACITOR	100PF(2012)	
	C 5	GJ116303891	CHIP CAPACITOR	0.1UFF(2012)25V	
	D 1	GJ374502042103	LED	INFRARED LED SI	
	IC 1	GJ313060851302	IC	IC UPD6134MC114	
	J 1	GJ121629691	CHIP RESISTOR	OHM	
	Q 1	GJ312010941203	CHIP TRANSISTOR	2SD1781KQ	
	R 1	GJ121780691	CHIP RESISTOR	OHM(3216)5%	
	R 2	GJ121601191	CHIP RESISTOR	OH(2012)1/10W	
	X 1	GJ362000020002	C.RESONATOR	CERAMIC RESONAT	

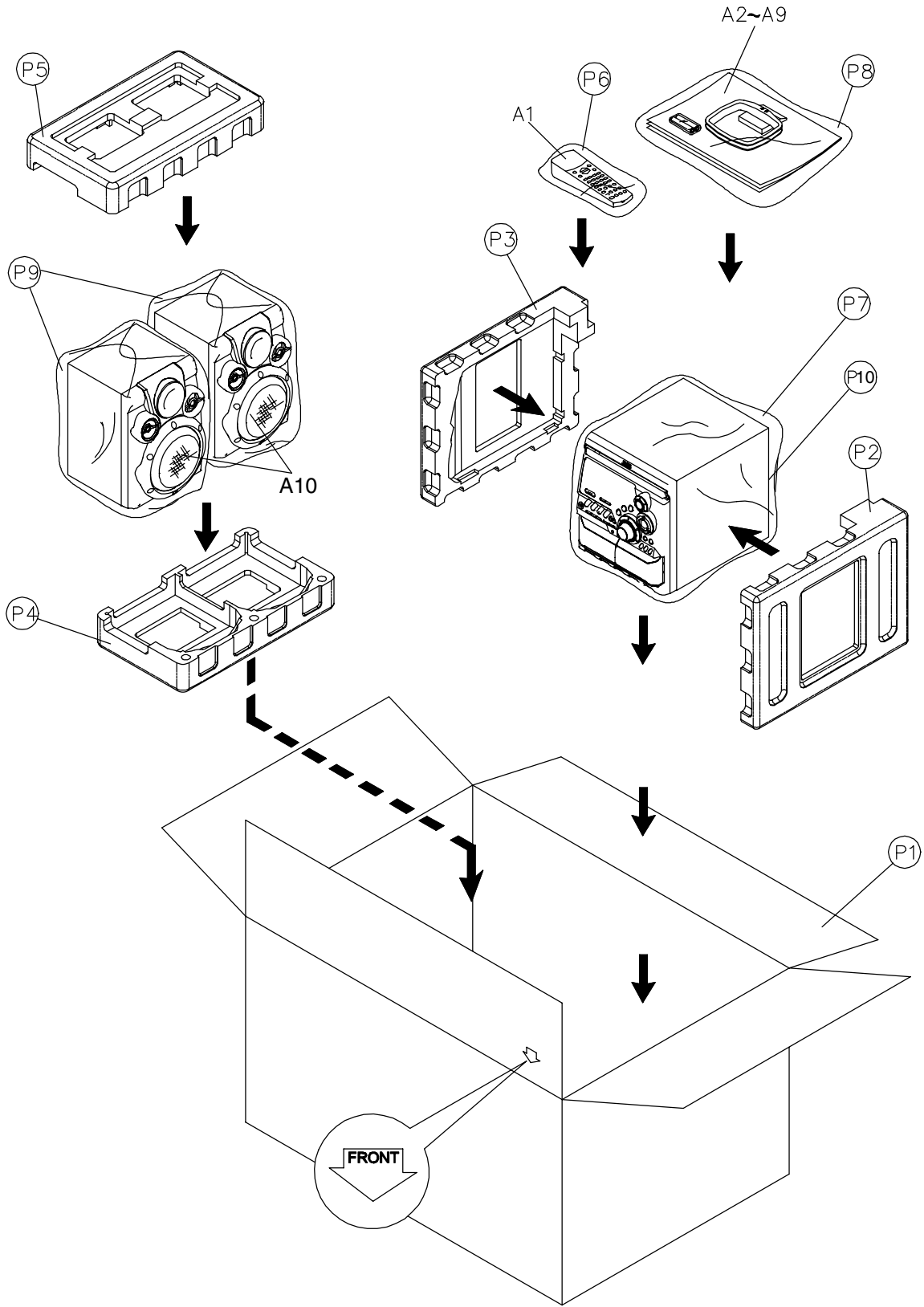
Packing materials and accessories parts list

Block No.

M	4	M	M
---	---	---	---

Block No.

M	5	M	M
---	---	---	---



■ Parts list (Packing)

Block No. M4MM

△	Item	Parts number	Parts name	Q'ty	Description	Area
	P 1	GJ560532000101	CARTON	1		
	P 2	GJ560531300101	POLYFOAM	1	RIGHT	
	P 3	GJ560531200101	POLYFOAM	1	LEFT	
	P 4	GJ560531000101	POLY FORM	1	BOTTOM	
	P 5	GJ560530900101	POLY FORM	1	TOP	
	P 6	GJ740082550400	POLY BAG	1		
	P 7	GJ740707020300	POLYBAG	1		
	P 8	GJ740362550000	POLY BAG	1		
	P 9	GJ740486230300	POLY BAG	2		
	P 10	GJ740122550000	POLY BAG	1		

■ Parts list (Accessories)

Block No. M5MM

△	Item	Parts number	Parts name	Q'ty	Description	Area
	A 1	GJA1002032001C	REMOCON	1		
	A 2	GJA2052001001C	LOOP ANT	1		
	A 3	-----	BATTERY	1	R6SPTT/2STA	
	A 4	GJ773012490102	INST.BOOK	1	ENG	J
		GJ773012520101	INST.BOOK	1	ENG FRE	C
	A 5	GJ351001402431	ANT.WIRE	1		
	A 6	GJ775000140101	ACC SAFETY GUID	1		J
	A 7	GJ775000400101	REGISTRATION CA	1		J
	A 8	GJ773030590101	WARRANTY CARD	1		C
	A 9	GJ775000200202	SVC LIST	1		C
	A 10	MXK1R-SPBOX-L	SPEAKER BOX	1		
		MXK1R-SPBOX-R	SPEAKER BOX	1		